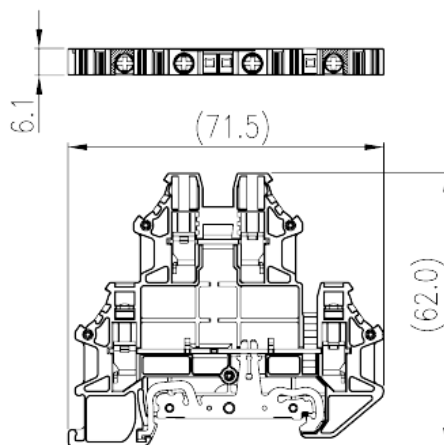
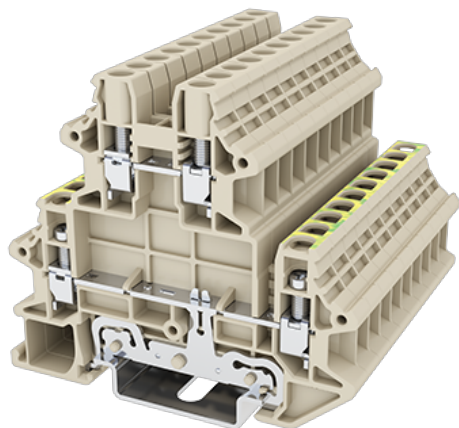


DKK4N-L2PE

DIN

>

:2026-07-05



M3, 600V, Beige (default)

	DIN rail terminal blocks, Bi level feed, Grounding terminal blocks
	Grounding Terminal Block
	Beige (default)
	Screw connection
	Rail mounting
(mm)	71.5
(mm)	6.1
(mm)	62
()	1P
	Double level
	4
	PA
	I
UL 94	V0
	500M at DC 500V

-IEC

(V)		800
(A)		32
(III/3)(V)		800
(II/2)(KV)		8
(III/2)(KV)		8
(III/3)(KV)		8
(mm ²)		0.34
(mm ²)		6
(mm ²)		0.34
(mm ²)		4
(mm ²)	,	0.34
(mm ²)	,	4
(mm ²)	,	0.34
(mm ²)	,	4
2	(mm ²)	0.34
2	(mm ²)	2.5
2	(mm ²)	0.34
2	(mm ²)	2.5
(mm ²) 2	,	0.5
(mm ²) 2	,	1.5
2	(mm ²)	0.5
2	(mm ²)	2.5
		M3
Width)(mm)	(Blade thickness x	0.6x3.5
Philips		PH0
(N.m)		0.5
(N.m)		0.5
(N.m)		0.6
		9~11

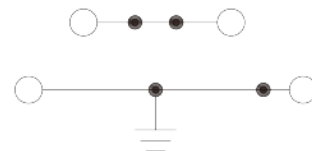
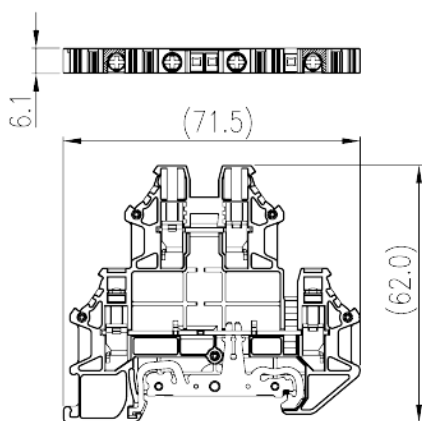
	TS-35
	YES
	NO

-UL

(UL/CUL Group B)(V)	600
(UL/CUL Group B)(A)	30 (Upper Levels)
(UL/CUL Group C)(V)	600
(UL/CUL Group C)(A)	30 (Upper Levels)
UL/CUL AWG	22
UL/CUL AWG	10
UL/CUL AWG	22
UL/CUL AWG	10

&

(YES or NO)	YES
가 (YES or NO)	YES
	120
	-40





Delight Through Connections

