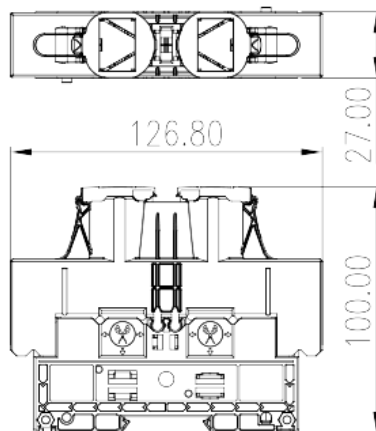


# DKM35-U

DIN

>

:2026-07-04



M6, 1500V, 170A, Beige (default)

	Feed-through Single Level, Stud Connection
	Feed-through Single Level
(mm)	27
	Refer to drawing
	Stud Connection
(mm)	126.8
(mm)	27
(mm)	100
	Single level
	2
	PA
	I
UL 94	V0
	500M at DC 500V

-IEC



(V)	1500
(A)	125
(III/3)(V)	1500
(III/3)(KV)	8
(mm <sup>2</sup> )	2.5
(mm <sup>2</sup> )	35
(mm <sup>2</sup> )	2.5
(mm <sup>2</sup> )	35
	M6
Philips	10X6.3
(N.m)	3
(N.m)	6
	The stripping length depends on the specification provided by the cable lug manufacturer
	TS-35
	NO
	NO

**-UL**

(UL/CUL Group E)(V)	1500
(UL/CUL Group E)(A)	*Single-Cable 130A / Double-Cable 170A
UL/CUL AWG	12
UL/CUL AWG	1
UL/CUL AWG	12
UL/CUL AWG	1

**&**

(YES or NO)	YES
가 (YES or NO)	NO
	120
	-40

**UL**

(Group E)(AWG)	12~1
(Group E)(V)	1500

(Group E)(A)

\*Single-Cable 130A / Double-Cable 170A

**CUL**

(Group E)(AWG)

12~1

(Group E)(V)

1500

(Group E)(A)

\*Single-Cable 130A / Double-Cable 170A

