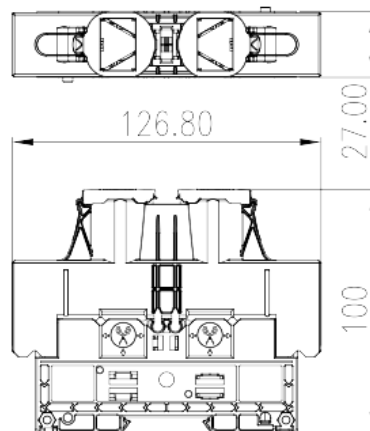


DKM50-U

DIN

>

:2026-07-05



M8, 1500V, 200A, Beige (default)

	Feed-through Single Level, Stud Connection
	Feed-through Single Level
(mm)	27
	Refer to drawing
	Stud Connection
(mm)	126.8
(mm)	27
(mm)	100
	Single level
	2
	PA
	I
UL 94	V0
	500M at DC 500V

-IEC



(V)	1500
(A)	150
(III/3)(V)	1500
(III/3)(KV)	8
(mm ²)	2.5
(mm ²)	50
(mm ²)	2.5
(mm ²)	50
	M8
Philips	13X6.3
(N.m)	6
(N.m)	12
	The stripping length depends on the specification provided by the cable lug manufacturer
	TS-35
	NO
	NO

-UL

(UL/CUL Group E)(V)	1500
(UL/CUL Group E)(A)	*Single-Cable 150A / Double-Cable 200A
UL/CUL AWG	14
UL/CUL AWG	1/0
UL/CUL AWG	14
UL/CUL AWG	1/0

&

(YES or NO)	YES
가 (YES or NO)	NO
	120
	-40

UL

(Group E)(AWG)	14~1/0
(Group E)(V)	1500

(Group E)(A)

*Single-Cable 150A / Double-Cable 200A

CUL

(Group E)(AWG)

14~1/0

(Group E)(V)

1500

(Group E)(A)

*Single-Cable 150A / Double-Cable 200A

