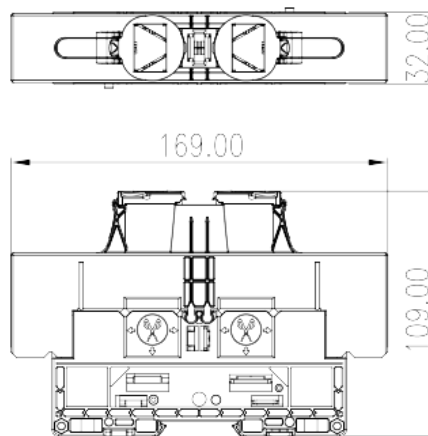


# DKM70-U

DIN

>

:2026-07-05



M8, 1500V, 230A, Beige (default)

	Feed-through Single Level, Stud Connection
	Feed-through Single Level
(mm)	32
	Refer to drawing
	Stud Connection
(mm)	132
(mm)	32
(mm)	109
	Single level
	2
	PA
	I
UL 94	V0
	500M at DC 500V

-IEC



(V)	1500
(A)	192
(III/3)(V)	1500
(III/3)(KV)	8
(mm <sup>2</sup> )	2.5
(mm <sup>2</sup> )	70
(mm <sup>2</sup> )	2.5
(mm <sup>2</sup> )	70
	M8
Philips	13X6.3
(N.m)	6
(N.m)	12
	The stripping length depends on the specification provided by the cable lug manufacturer
	TS-35
	NO
	NO

**-UL**

(UL/CUL Group E)(V)	1500
(UL/CUL Group E)(A)	*Single -Cable 175A / Double-Cable 230A
UL/CUL                      AWG	14
UL/CUL                      AWG	2/0
UL/CUL                      AWG	14
UL/CUL                      AWG	2/0

**&**

(YES or NO)	YES
가 (YES or NO)	NO
	120
	-40

**UL**

(Group E)(AWG)	14~2/0
(Group E)(V)	1500

(Group E)(A)

\*Single -Cable 175A / Double-Cable 230A

**CUL**

(Group E)(AWG)

14~2/0

(Group E)(V)

1500

(Group E)(A)

\*Single -Cable 175A / Double-Cable 230A

