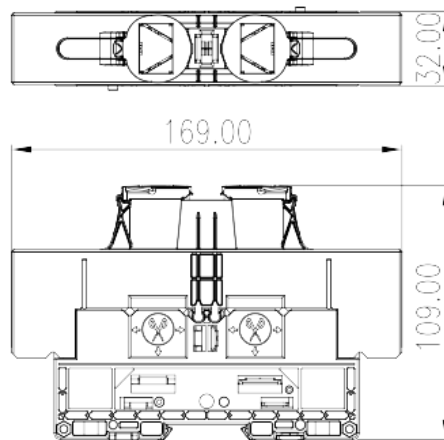


# DKM95-U

DIN

>

:2026-07-05



M8, 1500V, 260A, Beige (default)

	Feed-through Single Level, Stud Connection
	Feed-through Single Level
	Refer to drawing
	Stud Connection
(mm)	132
(mm)	32
(mm)	109
	Single level
	2
	PA
	I
UL 94	V0
	500M at DC 500V
	-IEC
(V)	1500

(A)	232
(III/3)(V)	1500
(III/3)(KV)	8
(mm <sup>2</sup> )	2.5
(mm <sup>2</sup> )	95
(mm <sup>2</sup> )	2.5
(mm <sup>2</sup> )	95
	M8
Philips	13X6.3
(N.m)	6
(N.m)	12
	The stripping length depends on the specification provided by the cable lug manufacturer
	TS-35
	NO
	NO

### -UL

(UL/CUL Group E)(V)	1500
(UL/CUL Group E)(A)	*Single-Cable 230A / Double-Cable 260A
UL/CUL AWG	14
UL/CUL AWG	4/0
UL/CUL AWG	14
UL/CUL AWG	4/0

### &

(YES or NO)	YES
가 (YES or NO)	NO
	120
	-40

### UL

(Group E)(AWG)	14~4/0
(Group E)(V)	1500
(Group E)(A)	*Single-Cable 230A / Double-Cable 260A

CUL

(Group E) (AWG)	14~4/0
(Group E) (V)	1500
(Group E) (A)	*Single-Cable 230A / Double-Cable 260A

