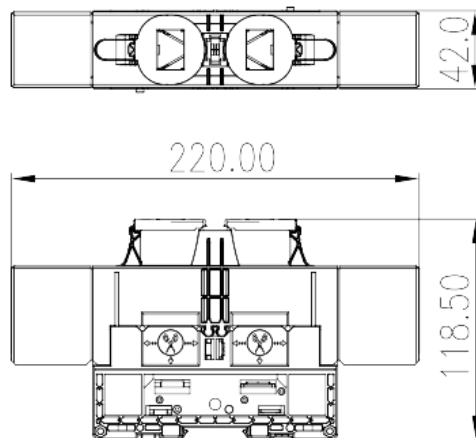


DKM120-U

DIN

>

:2026-07-04



M10, 1500V, 300A, Beige (default)

	Feed-through Single Level, Stud Connection
	Feed-through Single Level
	Refer to drawing
	Stud Connection
(mm)	220
(mm)	42
(mm)	118.5
	Single level
	2
	PA
	I
UL 94	V0
	500M at DC 500V
	-IEC
(V)	1500

(A)	269
(III/3)(V)	1500
(III/3)(KV)	8
(mm ²)	6
(mm ²)	120
(mm ²)	6
(mm ²)	120
	M10
Philips	15X10, 15X12.5
(N.m)	10
(N.m)	20
	The stripping length depends on the specification provided by the cable lug manufacturer
	TS-35
	NO
	NO

-UL

(UL/CUL Group E)(V)	1500
(UL/CUL Group E)(A)	*Single-Cable 255A / Double-Cable 300A
UL/CUL AWG	10
UL/CUL AWG	250 (kcmil)
UL/CUL AWG	10
UL/CUL AWG	250 (kcmil)

&

(YES or NO)	YES
가 (YES or NO)	NO
	120
	-40

UL

(Group E)(AWG)	10~250 (kcmil)
(Group E)(V)	1500
(Group E)(A)	*Single-Cable 255A / Double-Cable 300A

CUL

(Group E) (AWG)	10~250 (kcmil)
(Group E) (V)	1500
(Group E) (A)	*Single-Cable 255A / Double-Cable 300A

