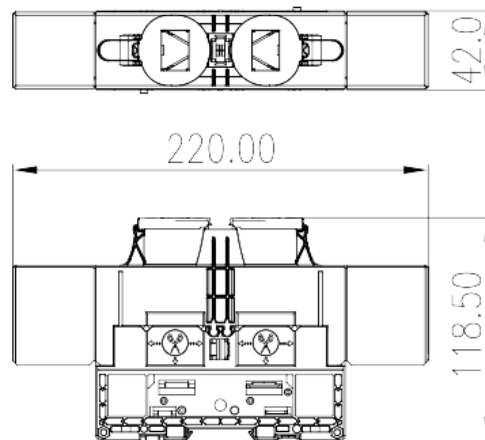


DKM150-U

DIN

>

:2026-03-29



M10, 1500V, 350A, Beige (default)

| | |
|-------|--|
| | Feed-through Single Level, Stud Connection |
| | Feed-through Single Level |
| | Refer to drawing |
| | Stud Connection |
| (mm) | 220 |
| (mm) | 42 |
| (mm) | 118.5 |
| | Single level |
| | 2 |
| | PA |
| | I |
| UL 94 | V0 |
| | 500M at DC 500V |
| | -IEC |
| (V) | 1500 |

| | |
|--------------------|--|
| (A) | 309 |
| (III/3)(V) | 1500 |
| (III/3)(KV) | 8 |
| (mm ²) | 10 |
| (mm ²) | 150 |
| (mm ²) | 10 |
| (mm ²) | 150 |
| | M10 |
| Philips | 15X10, 15X12.5 |
| (N.m) | 10 |
| (N.m) | 20 |
| | The stripping length depends on the specification provided by the cable lug manufacturer |
| | TS-35 |
| | NO |
| | NO |

-UL

| | |
|---------------------|--|
| (UL/CUL Group E)(V) | 1500 |
| (UL/CUL Group E)(A) | *Single-Cable 285A / Double-Cable 350A |
| UL/CUL AWG | 10 |
| UL/CUL AWG | 300 (kcmil) |
| UL/CUL AWG | 10 |
| UL/CUL AWG | 300 (kcmil) |

&

| | |
|---------------|-----|
| (YES or NO) | YES |
| 가 (YES or NO) | NO |
| | 120 |
| | -40 |

UL

| | |
|----------------|--|
| (Group E)(AWG) | 10~300 (kcmil) |
| (Group E)(V) | 1500 |
| (Group E)(A) | *Single-Cable 285A / Double-Cable 350A |

CUL

| | |
|-----------------|--|
| (Group E) (AWG) | 10~300 (kcmil) |
| (Group E) (V) | 1500 |
| (Group E) (A) | *Single-Cable 285A / Double-Cable 350A |

