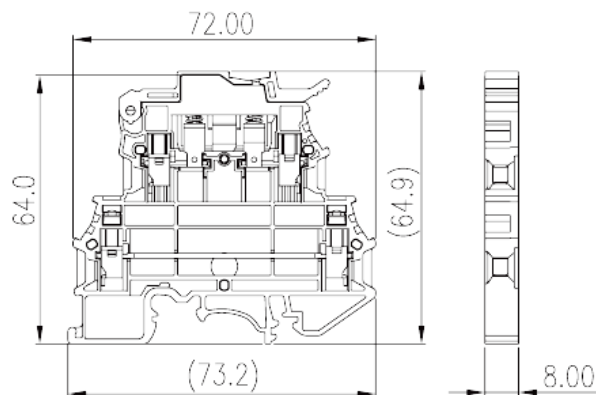
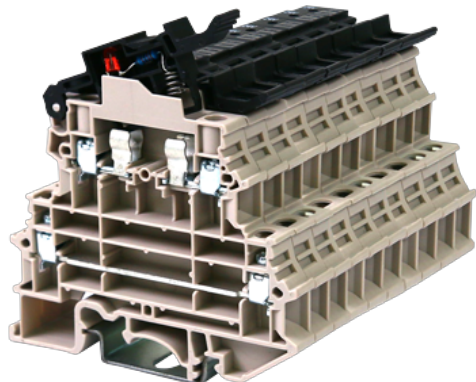


DKK4N-TFLXX

DIN

>

:2026-07-05



M3, 300V, 30A, Beige (default)

	DIN rail terminal blocks, Fuse terminal blocks
	Fuse terminal blocks
	Beige (default)
	Screw connection
	Rail mounting
(mm)	73.2
(mm)	8
(mm)	64.9
()	1P
	Double level
	4
	PA
	I
UL 94	V0
	500M at DC 500V

-IEC

(V)		800
(A)		30
(III/3)(V)		800
(II/2)(KV)		8
(III/2)(KV)		8
(III/3)(KV)		8
(mm ²)		0.5
(mm ²)		4
(mm ²)		0.5
(mm ²)		4
(mm ²)	,	0.5
(mm ²)	,	4
(mm ²)	,	0.5
(mm ²)	,	4
	2 (mm ²)	0.5
	2 (mm ²)	2.5
	2 (mm ²)	0.5
	2 (mm ²)	2.5
(mm ²)	2 ,	0.5
(mm ²)	2 ,	2.5
	2 (mm ²) ,	0.5
	2 (mm ²) ,	2.5
		M3.5
Width)(mm)	(Blade thickness x	0.8x4.0
Philips		PH1
(N.m)		0.67
		10~12
		TS-35
		YES

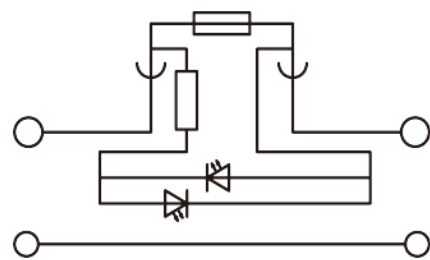
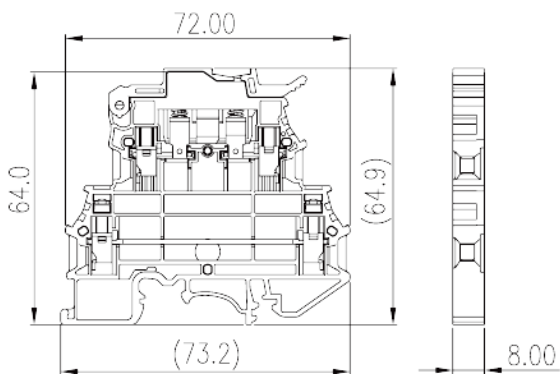
	NO
--	----

-UL

(UL/CUL Group B)(V)	300
(UL/CUL Group B)(A)	30
(UL/CUL Group C)(V)	300
(UL/CUL Group C)(A)	30
(UL/CUL Group D)(V)	600
(UL/CUL Group D)(A)	5
UL/CUL AWG	22
UL/CUL AWG	10
UL/CUL AWG	22
UL/CUL AWG	10

&

(YES or NO)	YES
가 (YES or NO)	YES
	120
	-40



* DKK4N-TFLXX(5X20) with LED display.

Part number	LED	Voltage
DKK4N-TFL5(5X20)	with LED light	5V
DKK4N-TFL12(5X20)	with LED light	12V
DKK4N-TFL24(5X20)	with LED light	24V
DKK4N-TFL48(5X20)	with LED light	48V
DKK4N-TFL110(5X20)	with LED light	110V
DKK4N-TFL220(5X20)	with LED light	220V
DKK4N-TFL300(5X20)	with LED light	300V

