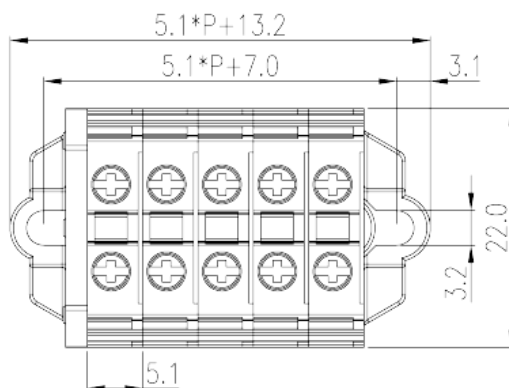


PM2.5N-XXP

NEMA

>

:2026-07-04



300V, 20A, Beige (default)

	Feed-through Panel Type
	Feed-through Panel Type
(mm)	5.1
	Beige (default)
	Screw Connection
	Panel Mounting
(mm)	22
(mm)	5.1
(mm)	22
()	01P~20P
	Single level
	2
	PA
	I
UL 94	V0
	500M at DC 500V

-IEC

(V)	500
(A)	24
(III/3)(V)	500
(III/3)(KV)	6
(mm ²)	0.34
(mm ²)	4
(mm ²)	0.34
(mm ²)	2.5
(mm ²) , ,	0.5
(mm ²) , ,	2.5
(mm ²) , ,	0.5
(mm ²) , ,	1.5
2 (mm ²)	0.5
2 (mm ²)	1.5
2 (mm ²)	0.5
2 (mm ²)	1.5
(mm ²) 2 , ,	0.5
(mm ²) 2 , ,	1.5
2 (mm ²) , ,	0.5
2 (mm ²) , ,	1
	M2.5
Philips	PH0
(N.m)	0.4
	7~8
	YES
	NO

-UL

(UL/CUL Group B)(V)	300
---------------------	-----



(UL/CUL Group B)(A)		20
(UL/CUL Group C)(V)		300
(UL/CUL Group C)(A)		20
UL/CUL	AWG	22
UL/CUL	AWG	12
UL/CUL	AWG	22
UL/CUL	AWG	12

&

(YES or NO)		YES
가 (YES or NO)		YES
		120
		-40

UL

(Group B)(AWG)		22~12
(Group B)(V)		300
(Group B)(A)		20
(Group C)(AWG)		22~12
(Group C)(V)		300
(Group C)(A)		20

CUL

(Group B)(AWG)		22~12
(Group B)(V)		300
(Group B)(A)		20
(Group C)(AWG)		22~12
(Group C)(V)		300
(Group C)(A)		20

VDE

(mm ²)		0.34~2.5
(V)		500
(A)		24

