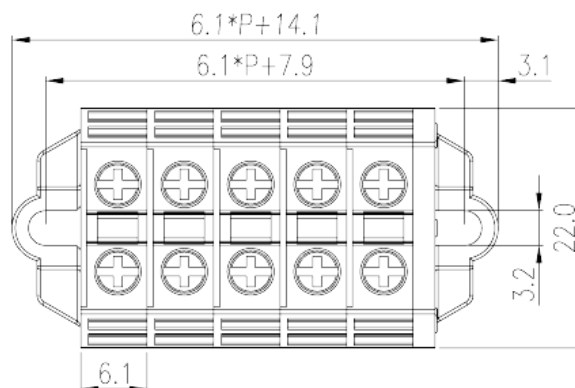
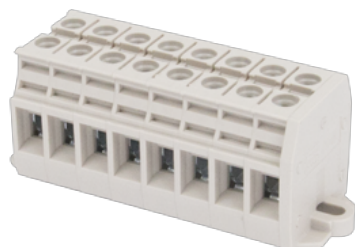


PM4N-XXP

NEMA

>

:2026-07-04



300V, 30A, Beige (default)

	Feed-through Panel Type
	Feed-through Panel Type
(mm)	6.1
	Beige (default)
	Screw Connection
	Panel Mounting
(mm)	22
(mm)	6.1
(mm)	23
()	01P~22P
	Single level
	2
	PA
	I
UL 94	V0
	500M at DC 500V

-IEC

(V)	500
(A)	32
(III/3)(V)	500
(III/3)(KV)	6
(mm ²)	0.5
(mm ²)	6
(mm ²)	0.5
(mm ²)	4
(mm ²) , ,	0.5
(mm ²) , ,	4
(mm ²) , ,	0.5
(mm ²) , ,	2.5
2 (mm ²)	0.5
2 (mm ²)	2.5
2 (mm ²)	0.5
2 (mm ²)	2.5
(mm ²) 2 , ,	0.5
(mm ²) 2 , ,	2.5
2 (mm ²) , ,	0.5
2 (mm ²) , ,	1.5
	M3
Philips	PH0
(N.m)	0.5
	7~8
	YES
	NO

-UL

(UL/CUL Group B)(V)	300
---------------------	-----



(UL/CUL Group B)(A)		30
(UL/CUL Group C)(V)		300
(UL/CUL Group C)(A)		30
UL/CUL	AWG	22
UL/CUL	AWG	10
UL/CUL	AWG	22
UL/CUL	AWG	10

&

(YES or NO)		YES
가 (YES or NO)		YES
		120
		-40

UL

(Group B)(AWG)		22~10
(Group B)(V)		300
(Group B)(A)		30
(Group C)(AWG)		22~10
(Group C)(V)		300
(Group C)(A)		30

CUL

(Group B)(AWG)		22~10
(Group B)(V)		300
(Group B)(A)		30
(Group C)(AWG)		22~10
(Group C)(V)		300
(Group C)(A)		30

VDE

(mm ²)		0.5~4
(V)		500
(A)		32

