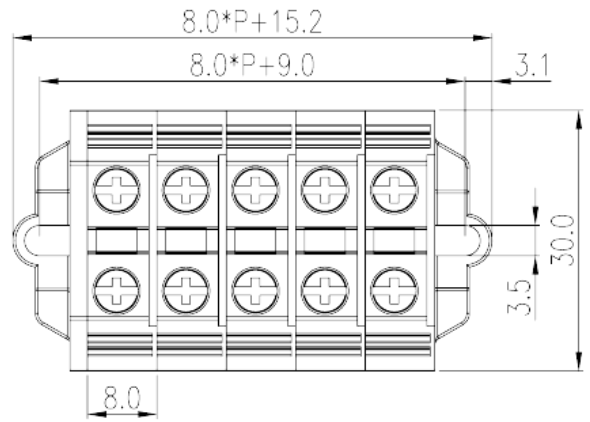
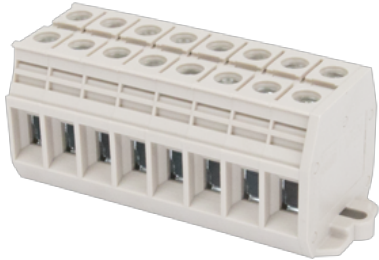


PM6N-XXP

NEMA >

:2026-07-04



300V, 65A, Beige (default)

	Feed-through Panel Type
	Feed-through Panel Type
(mm)	8
	Beige (default)
	Screw Connection
	Panel Mounting
(mm)	30
(mm)	8
(mm)	29.8
()	01P~20P
	Single level
	2
	PA
	I
UL 94	V0
	500M at DC 500V

-IEC

(V)	500
(A)	41
(III/3)(V)	500
(III/3)(KV)	6
(mm ²)	0.5
(mm ²)	10
(mm ²)	0.5
(mm ²)	6
(mm ²) , ,	0.5
(mm ²) , ,	6
(mm ²) , ,	0.5
(mm ²) , ,	4
2 (mm ²)	0.5
2 (mm ²)	4
2 (mm ²)	0.5
2 (mm ²)	4
(mm ²) 2 , ,	0.5
(mm ²) 2 , ,	4
2 (mm ²) , ,	0.5
2 (mm ²) , ,	4
	M4
Philips	PH0
(N.m)	1.2
	10~11
	YES
	NO

-UL

(UL/CUL Group B)(V)	300
---------------------	-----



(UL/CUL Group B)(A)		65
(UL/CUL Group C)(V)		300
(UL/CUL Group C)(A)		65
UL/CUL	AWG	20
UL/CUL	AWG	6
UL/CUL	AWG	20
UL/CUL	AWG	6

&

(YES or NO)		YES
가 (YES or NO)		YES
		120
		-40

UL

(Group B)(AWG)		20~6
(Group B)(V)		300
(Group B)(A)		65
(Group C)(AWG)		20~6
(Group C)(V)		300
(Group C)(A)		65

CUL

(Group B)(AWG)		20~6
(Group B)(V)		300
(Group B)(A)		65
(Group C)(AWG)		20~6
(Group C)(V)		300
(Group C)(A)		65

VDE

(mm ²)		0.5~6
(V)		500
(A)		41

