

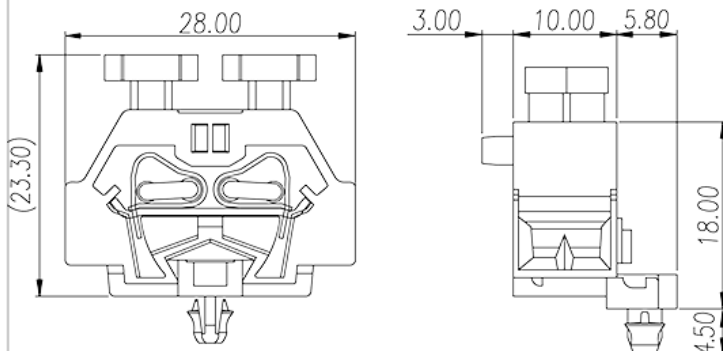
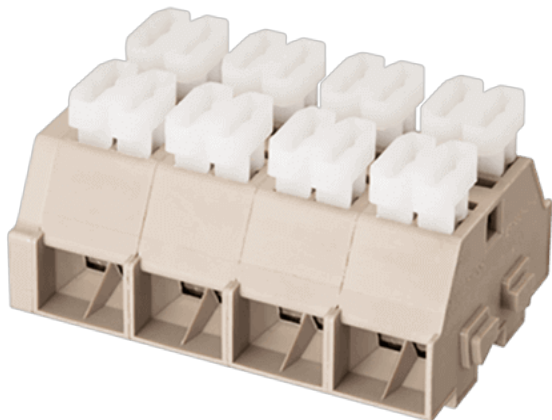
PMM2.5WSHA

NEMA

>

:2026-07-04

:1.1



600V, 25A, Beige (default)

	DIN Rail terminal blocks, Panel mounting terminal blocks
	Panel mounting terminal blocks
	Beige (default)
	Spring Clamp Connection
	Panel Mounting
(mm)	10
(mm)	27.8
(mm)	28
()	01P~16P
	Single level
	4
	PA
	I
UL 94	V0

-IEC

(V)		630
(A)		24
(III/3)(V)		630
(II/2)(KV)		8
(III/2)(KV)		8
(III/3)(KV)		8
(mm ²)		0.5
(mm ²)		2.5
(mm ²)		0.5
(mm ²)		2.5
Width)(mm)	(Blade thickness x	0.4x2.5
		7~8
		YES
		NO

-UL

(UL/CUL Group B)(V)		600
(UL/CUL Group B)(A)		25
UL/CUL	AWG	28
UL/CUL	AWG	12
UL/CUL	AWG	28
UL/CUL	AWG	12

&

(YES or NO)		YES
가 (YES or NO)		YES
		120
		-40





Delight Through Connections