

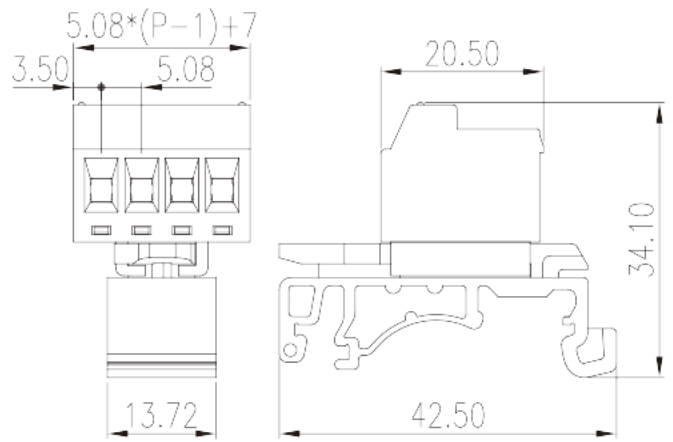
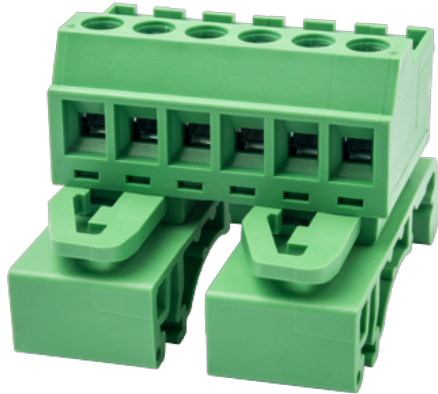
2EHDRD-XXP

DIN

>

:2026-07-05

:1.1



Pitch: 5.08 mm, 300V, 12A

	Special type terminal blocks, Screw connection
	Special type terminal blocks
(mm)	5.08
	Green (default)
	Screw connection
	Without
(mm)	$5.08 \times (P-1) + 7.00$
(mm)	20.05
(mm)	34.1
()	02~20P
	PA
	I
UL 94	V0
	COPPER ALLOY
	Tin PLATED

-IEC

(V)	630
(A)	18
(II/2)(V)	600
(III/2)(V)	320
(III/3)(V)	250
(II/2)(KV)	4
(III/2)(KV)	4
(III/3)(KV)	4
(mm ²)	0.5
(mm ²)	2.5
(mm ²)	0.5
(mm ²)	2.5
(mm ²)	0.25
(mm ²)	2.5
(mm ²)	0.25
(mm ²)	1.5
2 (mm ²)	1.5
2 (mm ²)	1.5
(mm ²) ²	0.25
(mm ²) ²	0.75
(mm ²) ²	0.5
(mm ²) ²	1.5
	M2.5
Width)(mm) (Blade thickness x	0.6x3.5
Philips	PH1
(N.m)	0.6
	7~8
	TS-35

-UL

(UL/CUL Group B)(V)	300
(UL/CUL Group B)(A)	12

&

(YES or NO)	YES
가 (YES or NO)	YES
	115
	-40

