

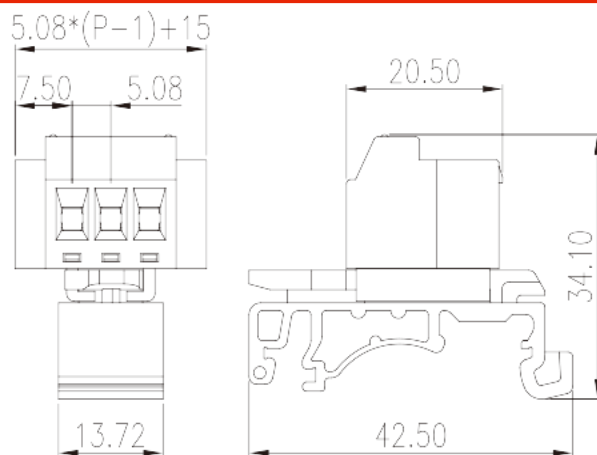
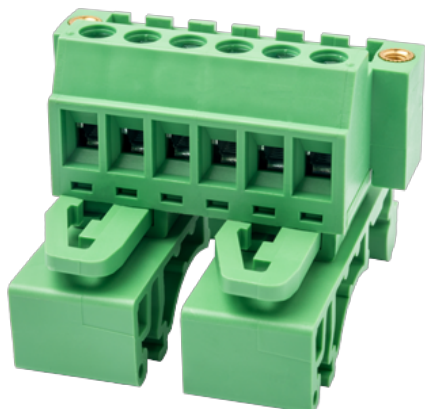
# 2EHDRDM-XXP

DIN

>

:2026-07-04

:1.1



Pitch: 5.08 mm, 300V, 12A

|       |  |
|-------|--|
|       | Special type terminal blocks, Screw connection |
|       | Special type terminal blocks                   |
| (mm)  | 5.08   |
|       | Green (default)                                |
|       | Screw connection                               |
|       | With threaded flange                           |
| (mm)  | $5.08 * (P - 1) + 15.00$                       |
| (mm)  | 20.05  |
| (mm)  | 34.1   |
| ( )   | 02~20P   |
|       | PA   |
|       | I  |
| UL 94 | V0   |
|       | COPPER ALLOY                                   |
|       | Tin PLATED                                     |

## -IEC

|                                 |         |
|---------------------------------|---------|
| (V)                             | 250     |
| (A)                             | 12      |
| (II/2)(V)                       | 600     |
| (III/2)(V)                      | 320     |
| (III/3)(V)                      | 250     |
| (II/2)(KV)                      | 4       |
| (III/2)(KV)                     | 4       |
| (III/3)(KV)                     | 4       |
| (mm <sup>2</sup> )              | 0.5     |
| (mm <sup>2</sup> )              | 2.5     |
| (mm <sup>2</sup> )              | 0.5     |
| (mm <sup>2</sup> )              | 2.5     |
| (mm <sup>2</sup> )              | 0.25    |
| (mm <sup>2</sup> )              | 2.5     |
| (mm <sup>2</sup> )              | 0.25    |
| (mm <sup>2</sup> )              | 1.5     |
| 2 (mm <sup>2</sup> )            | 1.5     |
| 2 (mm <sup>2</sup> )            | 1.5     |
| (mm <sup>2</sup> ) <sup>2</sup> | 0.25    |
| (mm <sup>2</sup> ) <sup>2</sup> | 0.75    |
| (mm <sup>2</sup> ) <sup>2</sup> | 0.5     |
| (mm <sup>2</sup> ) <sup>2</sup> | 1.5     |
|                                 | M2.5    |
| Width)(mm) (Blade thickness x   | 0.6x3.5 |
| Philips                         | PH1     |
| (N.m)                           | 0.6     |
|                                 | 7~8     |
|                                 | TS-35   |

-UL

|                     |     |
|---------------------|-----|
| (UL/CUL Group B)(V) | 300 |
| (UL/CUL Group B)(A) | 12  |

&

|               |     |
|---------------|-----|
| (YES or NO)   | YES |
| 가 (YES or NO) | YES |
|               | 115 |
|               | -40 |

