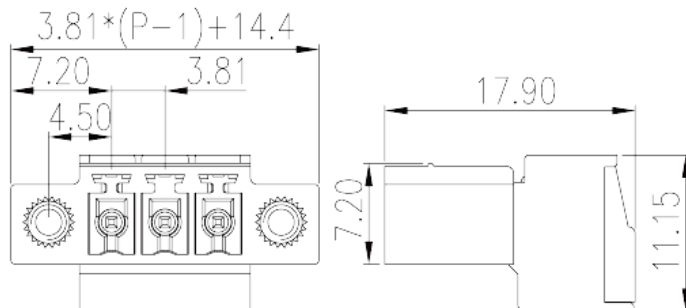
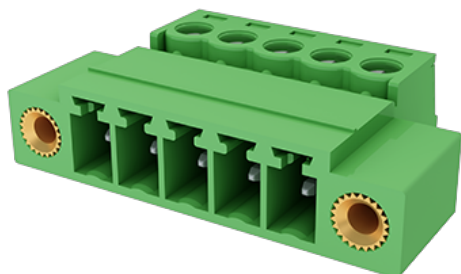


# ECSH381VM-XXP

PCB > PCB -

:2026-07-05



Pitch:3.81mm, 300V, 8A

	PCB Connector, Screw Connection
	PCB Connector – Socket
(mm)	3.81
	Green (default)
	Screw Connection
	With threaded flange
(mm)	$3.81 * (P - 1) + 14.4$
(mm)	17.9
(mm)	11.15
( )	02P~24P
	Single level
	2~24
	PA
	I
UL 94	V0
	500M at DC 500V



	COPPER ALLOY
	Tin PLATED
<b>-IEC</b>	
(V)	320
(A)	12
(II/2)(V)	320
(III/2)(V)	160
(III/3)(V)	160
(II/2)(KV)	2.5
(III/2)(KV)	2.5
(III/3)(KV)	2.5
(mm <sup>2</sup> )	0.2
(mm <sup>2</sup> )	1.5
(mm <sup>2</sup> )	0.2
(mm <sup>2</sup> )	1.5
(mm <sup>2</sup> ) , ,	0.25
(mm <sup>2</sup> ) , ,	1
(mm <sup>2</sup> ) , ,	0.25
(mm <sup>2</sup> ) , ,	0.5
2 (mm <sup>2</sup> )	0.2
2 (mm <sup>2</sup> )	0.75
2 (mm <sup>2</sup> )	0.2
2 (mm <sup>2</sup> )	0.75
(mm <sup>2</sup> ) 2 , ,	0.25
(mm <sup>2</sup> ) 2 , ,	0.34
2 (mm <sup>2</sup> ) , ,	0.5
2 (mm <sup>2</sup> ) , ,	0.5
	M2
Philips	0.4x2.5



(N.m)	0.2
(N.m)	0.25
(N.m)	0.3
	6~7

**-UL**

(UL/CUL Group B)(V)	300
(UL/CUL Group B)(A)	8
(UL/CUL Group D)(V)	300
(UL/CUL Group D)(A)	8
UL/CUL                      AWG	30
UL/CUL                      AWG	14
UL/CUL                      AWG	30
UL/CUL                      AWG	14

**&**

가            (YES or NO)	YES
	120
	-40

**UL**

(Group B)(AWG)	30~14
(Group B)(V)	300
(Group B)(A)	8
(Group D)(AWG)	30~14
(Group D)(V)	300
(Group D)(A)	8

**CUL**

(Group B)(AWG)	30~14
(Group B)(V)	300
(Group B)(A)	8
(Group D)(AWG)	30~14
(Group D)(V)	300
(Group D)(A)	8

