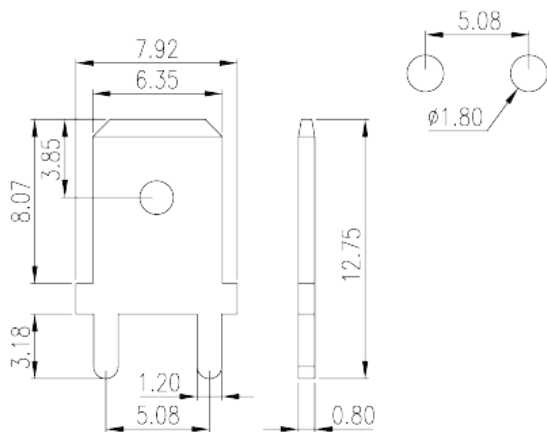


P-852

>

:2026-07-04



Pitch : 5.08mm, 0.8x1.2mm, 30A

Barrier terminal blocks, Quick terminal blocks

	Quick terminal blocks
(mm)	5.08
(x) (mm)	0.8x1.2

	COPPER ALLOY
	Tin PLATED

-IEC

(A)	30
-----	----

