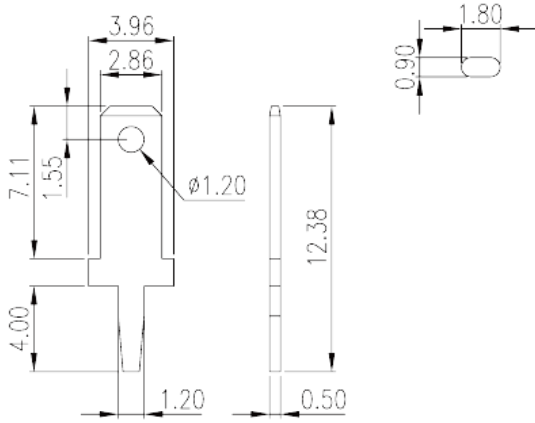


# P-8A0

>

:2026-07-04



0.5x1.2mm

Barrier terminal blocks, Quick terminal blocks

( x ) (mm)	Quick terminal blocks 0.5x1.2
	COPPER ALLOY
	Tin PLATED

