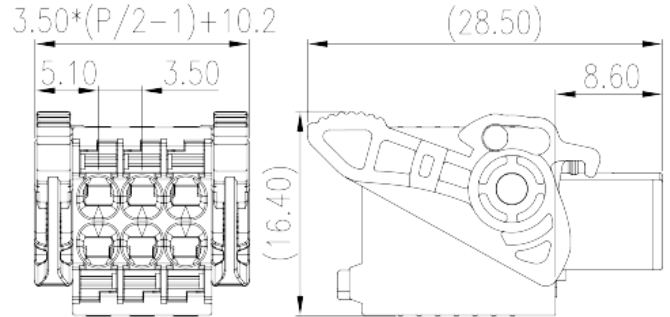
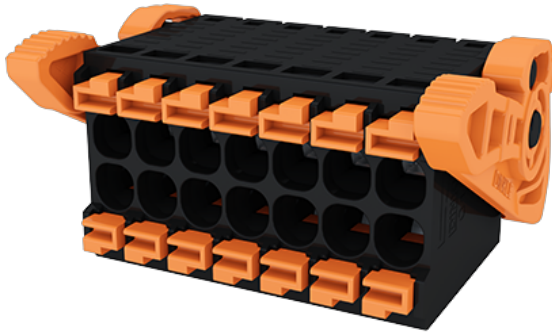


0156-9DXX

PCB > PCB -

:2026-07-05



Pitch : 3.50mm, 300V, 10A

	PCB Connector Plug, Push-in Design
	PCB Connector – Plug
(mm)	3.50
	Black (default)
	Push in Design
	With release tool
(mm)	$3.50 * (P/2 - 1) + 10.2$
(mm)	16.4
(mm)	28.5
()	04P~40P
	Double level

	PA
	I
UL 94	V0
	500M at DC 500V
	HIGH PERFORMANCE COPPER ALLOY

Tin PLATED

-IEC

(V)	320
(A)	10
(II/2)(V)	320
(III/2)(V)	160
(III/3)(V)	160
(II/2)(KV)	2.5
(III/2)(KV)	2.5
(III/3)(KV)	2.5
(mm ²)	0.2
(mm ²)	1.5
(mm ²)	0.2
(mm ²)	1.5
(mm ²) , ,	0.25
(mm ²) , ,	1
(mm ²) , ,	0.25
(mm ²) , ,	0.75
² (mm ²) , ,	0.75
² (mm ²) , ,	0.75
Width)(mm) (Blade thickness x	0.4x2.5
	11~12

-UL

(UL/CUL Group B)(V)	300
(UL/CUL Group B)(A)	10
(UL/CUL Group D)(V)	300
(UL/CUL Group D)(A)	10
UL/CUL AWG	26
UL/CUL AWG	16

UL/CUL	AWG	26
UL/CUL	AWG	16

&

가	(YES or NO)	YES
		120
		-40

UL

(Group B)(AWG)	26~16
(Group B)(V)	300
(Group B)(A)	10
(Group D)(AWG)	26~16
(Group D)(V)	300
(Group D)(A)	10

CUL

(Group B)(AWG)	26~16
(Group B)(V)	300
(Group B)(A)	10
(Group D)(AWG)	26~16
(Group D)(V)	300
(Group D)(A)	10

