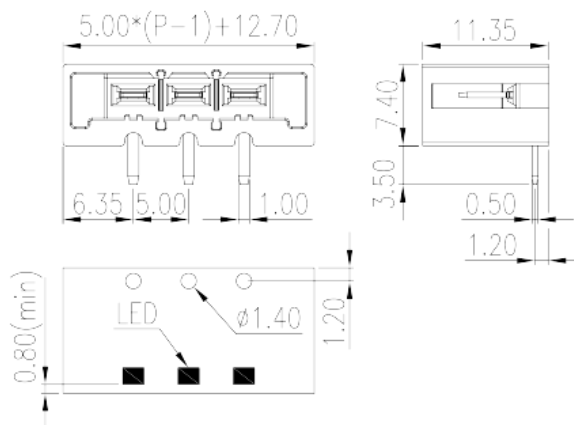
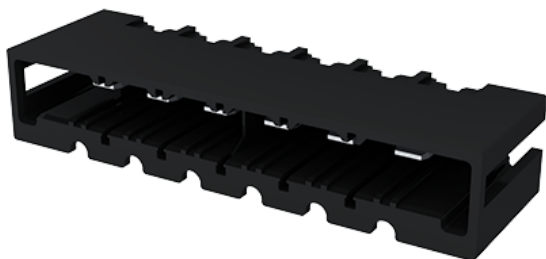


# 0226-23XX

PCB > PCB -

:2026-07-05



Pitch: 5.00mm, 300V, 10A

	PCB Connector – Socket, Wave soldering
	PCB Connector – Socket
(mm)	5
	Black (default)
	With lock flange
	Wave soldering
(mm)	$5.00 \times (P-1) + 12.7$
(mm)	11.35
(mm)	7.4
( x ) (mm)	0.5x1
PCB (mm)	1.4
( )	02P~16P
	Single level
	PA
	I
UL 94	V0



	500M at DC 500V
	COPPER ALLOY
	Tin PLATED

**-IEC**

(V)	630
(A)	17.5
(II/2)(V)	630
(III/2)(V)	320
(III/3)(V)	320
(II/2)(KV)	4
(III/2)(KV)	4
(III/3)(KV)	4

**-UL**

(UL/CUL Group B)(V)	300
(UL/CUL Group B)(A)	10
(UL/CUL Group D)(V)	300
(UL/CUL Group D)(A)	10

**&**

가 (YES or NO)	YES
	120
	-40

**UL**

(Group B)(V)	300
(Group B)(A)	10
(Group D)(V)	300
(Group D)(A)	10

**CUL**

(Group B)(V)	300
(Group B)(A)	10
(Group D)(V)	300

