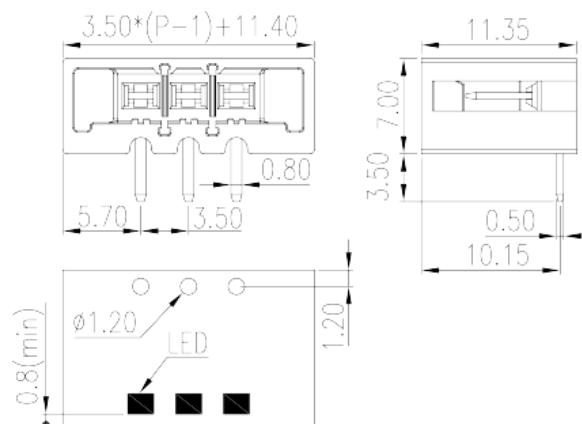
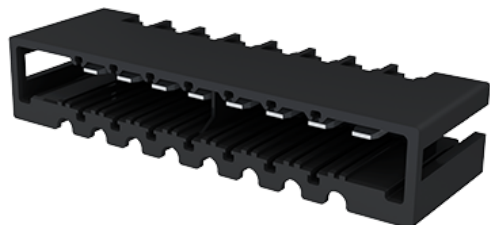


0225-23XX

PCB > PCB -

:2026-07-05



Pitch: 3.50mm, 300V, 8A

	PCB Connector – Socket, Wave soldering
	PCB Connector – Socket
(mm)	3.5
	Black (default)
	With lock flange
	Wave soldering
(mm)	$3.50 \times (P-1) + 11.4$
(mm)	11.35
(mm)	7
(x) (mm)	0.5x0.8
PCB (mm)	1.2
()	02P~14P
	Single level
	PA
	I
UL 94	V0



	500M at DC 500V
	HIGH PERFORMANCE COPPER ALLOY
	Tin PLATED

-IEC

(V)	630
(A)	15
(II/2)(V)	630
(III/2)(V)	320
(III/3)(V)	250
(II/2)(KV)	4
(III/2)(KV)	4
(III/3)(KV)	4

-UL

(UL/CUL Group B)(V)	300
(UL/CUL Group B)(A)	8
(UL/CUL Group D)(V)	300
(UL/CUL Group D)(A)	8

&

가 (YES or NO)	YES
	120
	-40

--	--

