

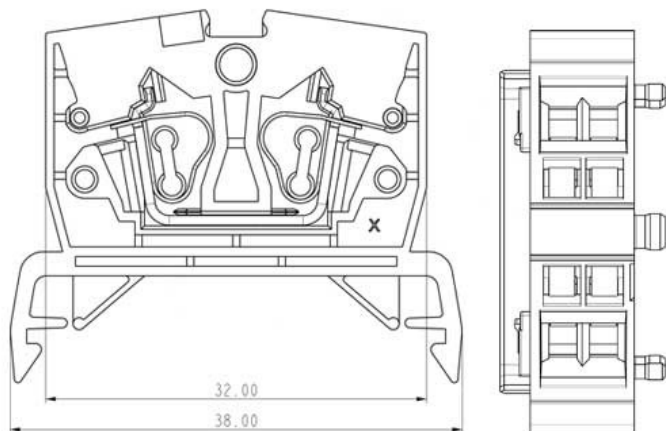
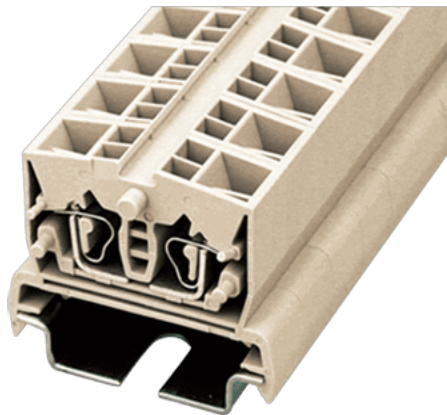
AK2.5PPN

DIN

>

:2026-07-04

:1.1



600V, 20A, Beige (default)

	DIN Rail terminal blocks, Feed through, Spring Clamp connection
	Feed through terminal blocks
	Beige (default)
	Spring Clamp Connection
	Rail Mounting
(mm)	38
(mm)	10
(mm)	33.9 (TS-35)
	Single level
	4
	PA
	I
UL 94	V0
	500M at DC 500V

-IEC



(V)	800
(A)	24
(III/3)(V)	800
(III/3)(KV)	8
(mm ²)	0.5
(mm ²)	2.5
(mm ²)	0.5
(mm ²)	2.5
(mm ²) , ,	0.5
(mm ²) , ,	1.5
(mm ²) , ,	0.5
(mm ²) , ,	1.5
² (mm ²) , ,	0.5
² (mm ²) , ,	1
Philips	0.4x2.5
	8~10
	TS-35
	YES
	NO

-UL

(UL/CUL Group B)(V)	600
(UL/CUL Group B)(A)	20
(UL/CUL Group C)(V)	600
(UL/CUL Group C)(A)	20
UL/CUL AWG	28
UL/CUL AWG	12
UL/CUL AWG	28
UL/CUL AWG	12

&



가 (YES or NO)	YES
	120
	-40

UL

(Group B)(AWG)	28~12
(Group B)(V)	600
(Group B)(A)	20
(Group C)(AWG)	28~12
(Group C)(V)	600
(Group C)(A)	20

CUL

(Group B)(AWG)	28~12
(Group B)(V)	600
(Group B)(A)	20
(Group C)(AWG)	28~12
(Group C)(V)	600
(Group C)(A)	20

VDE

(mm ²)	0.5~2.5
(V)	800
(A)	24

--	--

