

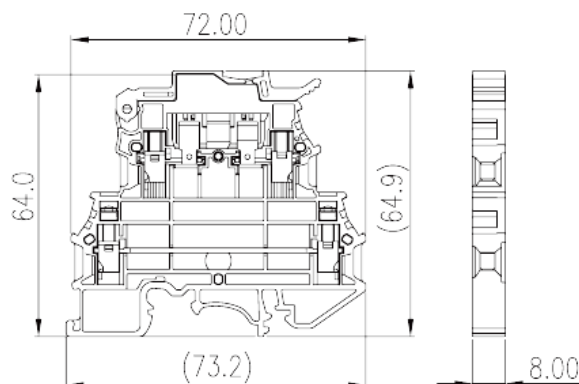
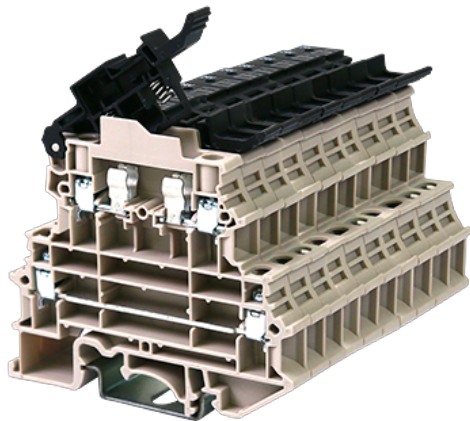
DKK4N-TF

DIN

>

:2026-07-04

:1.2



M3, 300V, 30A, Beige (default)

	DIN rail terminal blocks, Fuse terminal blocks
	Fuse terminal blocks
	Beige (default)
	Screw connection
	Rail mounting
(mm)	73.2
(mm)	8
(mm)	64.9
()	1P
	Double level
	4
	PA
	I
UL 94	V0
	500M at DC 500V

-IEC

(V)		800
(A)		30
(III/3)(V)		800
(II/2)(KV)		8
(III/2)(KV)		8
(III/3)(KV)		8
(mm ²)		0.5
(mm ²)		4
(mm ²)		0.5
(mm ²)		4
(mm ²)	,	0.5
(mm ²)	,	4
(mm ²)	,	0.5
(mm ²)	,	4
	2 (mm ²)	0.5
	2 (mm ²)	2.5
	2 (mm ²)	0.5
	2 (mm ²)	2.5
(mm ²)	2 ,	0.5
(mm ²)	2 ,	2.5
	2 (mm ²) ,	0.5
	2 (mm ²) ,	2.5
		M3
Width)(mm)	(Blade thickness x	0.8x4.0
Philips		PH1
(N.m)		0.67
		10~12
		TS-35
		YES



		NO
-UL		
(UL/CUL Group B)(V)		300
(UL/CUL Group B)(A)		30
(UL/CUL Group C)(V)		300
(UL/CUL Group C)(A)		30
(UL/CUL Group D)(V)		600
(UL/CUL Group D)(A)		5
UL/CUL	AWG	22
UL/CUL	AWG	10
UL/CUL	AWG	22
UL/CUL	AWG	10

&

	(YES or NO)	YES
가	(YES or NO)	YES
		120
		-40

UL

(Group B)(AWG)		22~10
(Group B)(V)		300
(Group B)(A)		30
(Group C)(AWG)		22~10
(Group C)(V)		300
(Group C)(A)		30
(Group D)(AWG)		22~10
(Group D)(V)		600
(Group D)(A)		5

CUL

(Group B)(AWG)		22~10
(Group B)(V)		300
(Group B)(A)		30

(Group C) (AWG)	22~10
(Group C) (V)	300
(Group C) (A)	30
(Group D) (AWG)	22~10
(Group D) (V)	600
(Group D) (A)	5

