

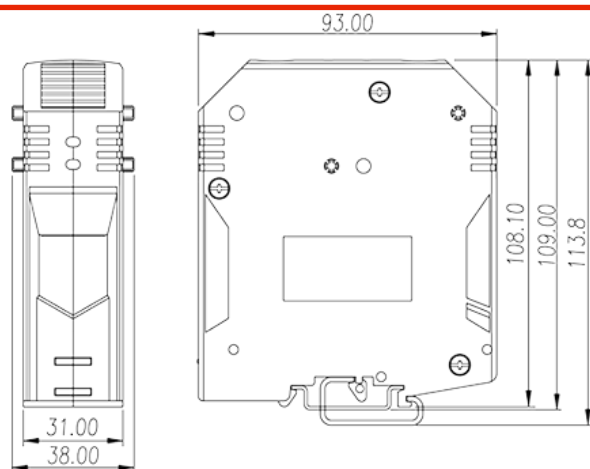
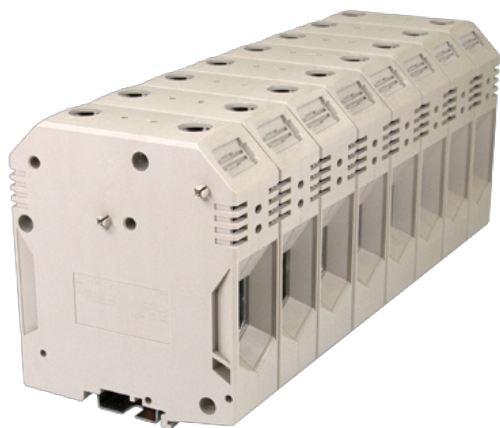
DK150

DIN

>

:2026-07-04

:1.2



M10, 600V, 275A, Beige (default)

	DIN rail terminal blocks, Feed through terminal blocks
	Feed through terminal blocks
	Beige (default)
	Screw connection
	Rail mounting
(mm)	93
(mm)	38
(mm)	108.1
()	1P
	Single level
	2
	PA
	I
UL 94	V0
	500M at DC 500V

-IEC

(V)	1000
(A)	309
(III/3)(V)	1000
(III/3)(KV)	8
(mm ²)	35
(mm ²)	150
(mm ²)	35
(mm ²)	150
(mm ²) , ,	35
(mm ²) , ,	150
	M10
Philips	#8
(N.m)	19
	35~37
	TS-35
	NO
	NO

-UL

(UL/CUL Group B)(V)	600
(UL/CUL Group B)(A)	125A : 2AWG (Sol) 275A : 2AWG(Str) ~300 kcmil 205A : 2x(2~1/0)AWG
(UL/CUL Group C)(V)	600
(UL/CUL Group C)(A)	125A : 2AWG (Sol) 275A : 2AWG(Str) ~300 kcmil 205A : 2x(2~1/0)AWG
UL/CUL AWG	2
UL/CUL AWG	300 kcmil
UL/CUL AWG	2
UL/CUL AWG	300 kcmil

&

(YES or NO)	YES
가 (YES or NO)	NO



	120
	-40

UL

(Group B)(AWG)	2~300 kcmil
(Group B)(V)	600
(Group B)(A)	125A : 2AWG (Sol) 275A : 2AWG(Str) ~300 kcmil 205A : 2x(2~1/0)AWG
(Group C)(AWG)	2~300 kcmil
(Group C)(V)	600
(Group C)(A)	125A : 2AWG (Sol) 275A : 2AWG(Str) ~300 kcmil 205A : 2x(2~1/0)AWG

CUL

(Group B)(AWG)	2~300 kcmil
(Group B)(V)	600
(Group B)(A)	125A : 2AWG (Sol) 275A : 2AWG(Str) ~300 kcmil 205A : 2x(2~1/0)AWG
(Group C)(AWG)	2~300 kcmil
(Group C)(V)	600
(Group C)(A)	125A : 2AWG (Sol) 275A : 2AWG(Str) ~300 kcmil 205A : 2x(2~1/0)AWG

VDE

(mm ²)	35~150
(V)	1000
(A)	309

(mm ²)	35~150
(V)	1000
(A)	309

--	--

