

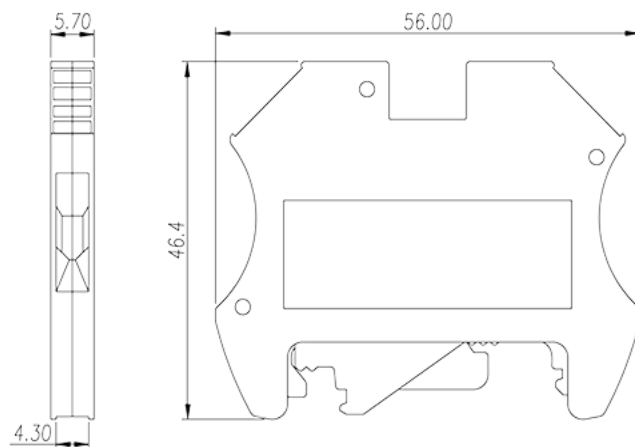
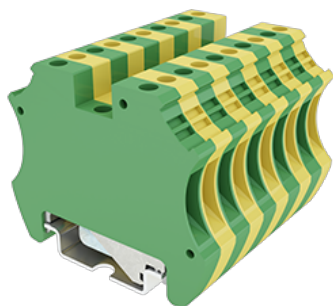
DK2.5-PE

DIN

>

:2026-07-04

:1.2



M3, 600V, Green-Yellow (default)

	DIN rail terminal blocks, Grounding terminal blocks
	Grounding terminal blocks
	Green-Yellow (default)
	Screw connection
	Rail mounting
(mm)	5.7
(mm)	56
(mm)	46.4
	Single level
	2
	PA
	I
UL 94	V0
	500M at DC 500V

-IEC



(II/2)(KV)	8
(III/2)(KV)	8
(III/3)(KV)	8
(mm ²)	0.5
(mm ²)	2.5
(mm ²)	0.5
(mm ²)	2.5
(mm ²) , ,	0.5
(mm ²) , ,	2.5
(mm ²) , ,	0.5
(mm ²) , ,	2.5
2 (mm ²)	1.5
2 (mm ²)	1.5
(mm ²) ² , ,	0.5
(mm ²) ² , ,	1.5
(mm ²) ² , ,	0.5
(mm ²) ² , ,	1
	M3
Width)(mm) (Blade thickness x	0.6x3.5
Philips	PH1
(N.m)	0.78
	10~14
	TS-35
	NO
	YES

-UL

(UL/CUL Group B)(V)	600
(UL/CUL Group C)(V)	600
(UL/CUL Group D)(V)	600



UL/CUL	AWG	26
UL/CUL	AWG	12
UL/CUL	AWG	26
UL/CUL	AWG	12

&

(YES or NO)	YES
가 (YES or NO)	YES
	120
	-40

UL

(Group B)(AWG)	26~12
(Group B)(V)	600
(Group C)(AWG)	26~12
(Group C)(V)	600
(Group D)(AWG)	26~12
(Group D)(V)	600

CUL

(Group B)(AWG)	26~12
(Group B)(V)	600
(Group C)(AWG)	26~12
(Group C)(V)	600
(Group D)(AWG)	26~12
(Group D)(V)	600

VDE

(mm ²)	0.5~2.5
--------------------	---------

--	--

