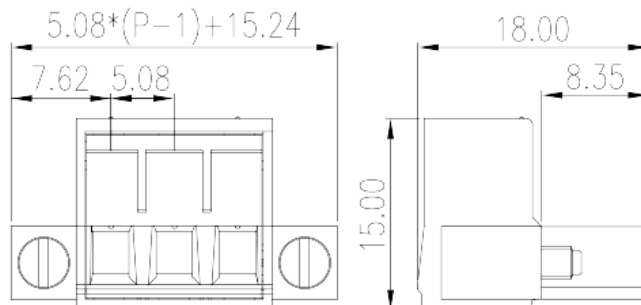


2ESDVNM-XXP

PCB > PCB -

:2026-07-04



Pitch : 5.08mm, 300V, 15A

	PCB Connector – Plug, Screw Connection
	PCB Connector – Plug
(mm)	5.08
	Green (default)
	Screw Connection
	With screw flange
	$5.08*(P-1)+15.24$
(mm)	18
(mm)	15
()	02P~24P
	Single level
	PA
	I
UL 94	V0
	500M at DC 500V
	COPPER ALLOY



Tin PLATED

-IEC

(V)	630
(A)	18
(II/2)(V)	630
(III/2)(V)	320
(III/3)(V)	320
(II/2)(KV)	4
(III/2)(KV)	4
(III/3)(KV)	4
(mm ²)	0.2
(mm ²)	4
(mm ²)	0.2
(mm ²)	2.5
(mm ²) , ,	0.25
(mm ²) , ,	2.5
(mm ²) , ,	0.25
(mm ²) , ,	2.5
(mm ²) ² , ,	0.25
(mm ²) ² , ,	1
(mm ²) ² , ,	0.5
(mm ²) ² , ,	1.5
	M2.5
Philips	0.6x3.5
(N.m)	0.4
(N.m)	0.5
(N.m)	0.3
	7~8

-UL



(UL/CUL Group B)(V)		300
(UL/CUL Group B)(A)		15
(UL/CUL Group D)(V)		300
(UL/CUL Group D)(A)		10
UL/CUL	AWG	30
UL/CUL	AWG	12
UL/CUL	AWG	28
UL/CUL	AWG	12

&

가	(YES or NO)	YES
		120
		-40

UL

(Group B)(AWG)		28~12(SOL);30~12(STR)
(Group B)(V)		300
(Group B)(A)		15
(Group D)(AWG)		28~12(SOL);30~12(STR)
(Group D)(V)		300
(Group D)(A)		10

CUL

(Group B)(AWG)		28~12(SOL);30~12(STR)
(Group B)(V)		300
(Group B)(A)		15
(Group D)(AWG)		28~12(SOL);30~12(STR)
(Group D)(V)		300
(Group D)(A)		10

--	--	--

