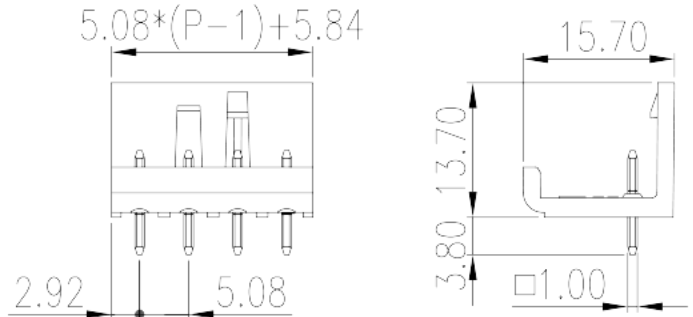


# 0164-11XXL

PCB &gt; PCB -

:2026-07-05



Pitch : 5.08mm, 300V, 15A

	PCB Connector – Socket, Reflow Soldering
	PCB Connector – Socket
(mm)	5.08
	Black (default)
	With lock flange
	Reflow Soldering
(mm)	$5.08*(P-1)+5.84$
(mm)	15.7
(mm)	13.7
( x ) (mm)	1x1
PCB (mm)	1.5
( )	02P~24P
	Single level

	HIGH-TEMPERATURE PLASTICS
	a
UL 94	V0



	500M at DC 500V
	COPPER ALLOY
	Tin PLATED
MSL	4

**-IEC**

(V)	630
(A)	15
(II/2)(V)	630
(III/2)(V)	320
(III/3)(V)	250
(II/2)(KV)	4
(III/2)(KV)	4
(III/3)(KV)	4

**-UL**

(UL/CUL Group B)(V)	300
(UL/CUL Group B)(A)	15
(UL/CUL Group D)(V)	300
(UL/CUL Group D)(A)	15

**&**

가 (YES or NO)	YES
	120
	-40

**UL**

(Group B)(V)	300
(Group B)(A)	15
(Group D)(V)	300
(Group D)(A)	15

**CUL**

(Group B)(V)	300
(Group B)(A)	15

(Group D)(V)	300
(Group D)(A)	15

