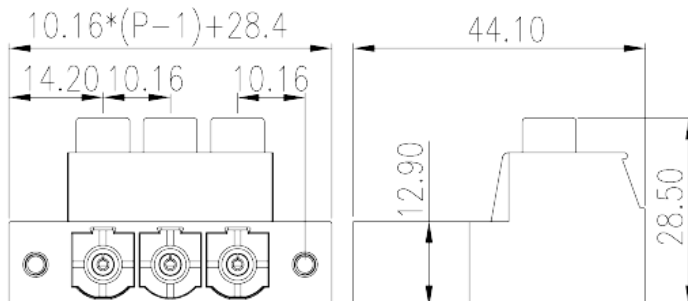
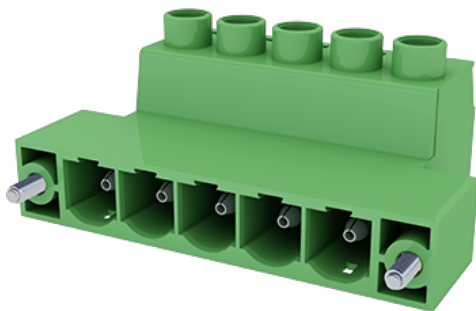


ECSH116M-XXP

PCB > PCB -

:2026-07-05



Pitch: 10.16mm, M4, 600V, 51A

	PCB Connector – Socket, Screw Connection
	PCB Connector – Socket
(mm)	10.16
	Green (default)
	Screw Connection
	With threaded flange
(mm)	$10.16 * (P-1) + 28.4$
(mm)	44.1
(mm)	28.5
()	02P~10P
	Single level
	PA
	I
UL 94	V0
	500M at DC 500V
	COPPER ALLOY



		Ag PLATED
-IEC		
(V)		1000
(A)		76
(II/2)(V)		1000
(III/2)(V)		1000
(III/3)(V)		1000
(II/2)(KV)		8
(III/2)(KV)		8
(III/3)(KV)		8
(mm ²)		0.5
(mm ²)		16
(mm ²)		0.5
(mm ²)		16
(mm ²)	,	0.5
(mm ²)	,	16
(mm ²)	,	0.5
(mm ²)	,	10
2	(mm ²)	0.5
2	(mm ²)	6
2	(mm ²)	0.5
2	(mm ²)	6
(mm ²) ²	,	0.5
(mm ²) ²	,	4
2	(mm ²)	0.5
2	(mm ²)	4
		M4
Width)(mm)	(Blade thickness x	1x5.5
(N.m)		1.2 (IEC) 1.8 (UL)

(N.m)	1.2
(N.m)	1.5
(N.m)	0.5
	14~15

-UL

(UL/CUL Group B)(V)	600
(UL/CUL Group B)(A)	51
(UL/CUL Group C)(V)	600
(UL/CUL Group C)(A)	51
(UL/CUL Group D)(V)	600
(UL/CUL Group D)(A)	5
UL/CUL AWG	16
UL/CUL AWG	6
UL/CUL AWG	16
UL/CUL AWG	6

&

가 (YES or NO)	YES
	120
	-40

UL

(Group B)(AWG)	16~6
(Group B)(V)	600
(Group B)(A)	51
(Group C)(AWG)	16~6
(Group C)(V)	600
(Group C)(A)	51
(Group D)(AWG)	16~6
(Group D)(V)	600
(Group D)(A)	5

CUL

(Group B)(AWG)	16~6
----------------	------

(Group B) (V)	600
(Group B) (A)	51
(Group C) (AWG)	16~6
(Group C) (V)	600
(Group C) (A)	51
(Group D) (AWG)	16~6
(Group D) (V)	600
(Group D) (A)	5

