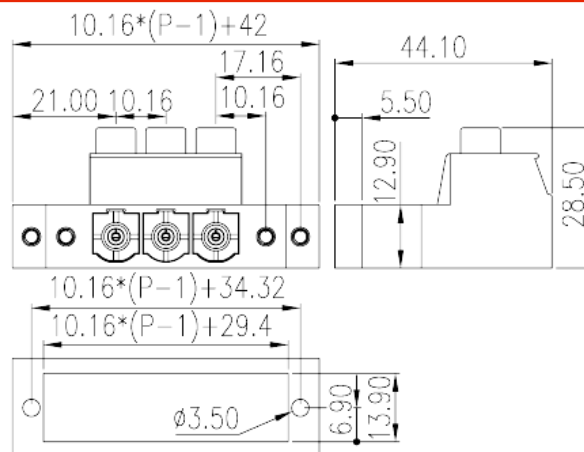
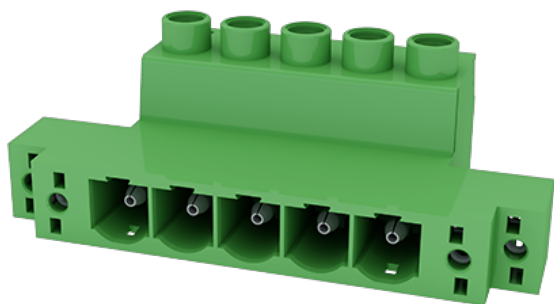


# ECSH116MK- XXP

PCB > PCB -

:2026-07-05



Pitch: 10.16mm , M4, 600V, 51A

|       |  |
|-------|--|
|       | PCB Connector – Socket, Screw Connection |
|       | PCB Connector – Socket                   |
| (mm)  | 10.16                                    |
|       | Green (default)                          |
|       | Screw Connection                         |
|       | With threaded flange                     |
| (mm)  | $10.16*(P-1)+42$                         |
| (mm)  | 44.1                                     |
| (mm)  | 28.5                                     |
| ( )   | 02P~08P                                  |
|       | Single level                             |
|       | PA                                       |
|       | I  |
| UL 94 | V0                                       |



|  |                 |
|--|-----------------|
|  | 500M at DC 500V |
|  | COPPER ALLOY    |
|  | Ag PLATED       |

**-IEC**

|                          |      |
|--------------------------|------|
| (V)                      | 1000 |
| (A)                      | 76   |
| (II/2)(V)                | 1000 |
| (III/2)(V)               | 1000 |
| (III/3)(V)               | 1000 |
| (II/2)(KV)               | 8    |
| (III/2)(KV)              | 8    |
| (III/3)(KV)              | 8    |
| (mm <sup>2</sup> )       | 0.5  |
| (mm <sup>2</sup> )       | 16   |
| (mm <sup>2</sup> )       | 0.5  |
| (mm <sup>2</sup> )       | 16   |
| (mm <sup>2</sup> ) , ,   | 0.5  |
| (mm <sup>2</sup> ) , ,   | 16   |
| (mm <sup>2</sup> ) , ,   | 0.5  |
| (mm <sup>2</sup> ) , ,   | 10   |
| 2 (mm <sup>2</sup> )     | 0.5  |
| 2 (mm <sup>2</sup> )     | 6    |
| 2 (mm <sup>2</sup> )     | 0.5  |
| 2 (mm <sup>2</sup> )     | 6    |
| (mm <sup>2</sup> ) 2 , , | 0.5  |
| (mm <sup>2</sup> ) 2 , , | 4    |
| 2 (mm <sup>2</sup> ) , , | 0.5  |
| 2 (mm <sup>2</sup> ) , , | 4    |
|                          | M4   |



|             |                    |                        |
|-------------|--------------------|------------------------|
| Width) (mm) | (Blade thickness x | 1x5.5                  |
| (N.m)       |                    | 1.2 ( IEC ) 1.8 ( UL ) |
| (N.m)       |                    | 1.2                    |
| (N.m)       |                    | 1.5                    |
| (N.m)       |                    | 0.5                    |
|             |                    | 14~15                  |

**-UL**

|                     |     |     |
|---------------------|-----|-----|
| (UL/CUL Group B)(V) |     | 600 |
| (UL/CUL Group B)(A) |     | 51  |
| (UL/CUL Group C)(V) |     | 600 |
| (UL/CUL Group C)(A) |     | 51  |
| (UL/CUL Group D)(V) |     | 600 |
| (UL/CUL Group D)(A) |     | 5   |
| UL/CUL              | AWG | 16  |
| UL/CUL              | AWG | 6   |
| UL/CUL              | AWG | 16  |
| UL/CUL              | AWG | 6   |

**&**

|   |             |     |
|---|-------------|-----|
| 가 | (YES or NO) | YES |
|   |             | 120 |
|   |             | -40 |

**UL**

|                |  |      |
|----------------|--|------|
| (Group B)(AWG) |  | 16~6 |
| (Group B)(V)   |  | 600  |
| (Group B)(A)   |  | 51   |
| (Group C)(AWG) |  | 16~6 |
| (Group C)(V)   |  | 600  |
| (Group C)(A)   |  | 51   |
| (Group D)(AWG) |  | 16~6 |
| (Group D)(V)   |  | 600  |
| (Group D)(A)   |  | 5    |

# CUL

|                 |      |
|-----------------|------|
| (Group B) (AWG) | 16~6 |
| (Group B) (V)   | 600  |
| (Group B) (A)   | 51   |
| (Group C) (AWG) | 16~6 |
| (Group C) (V)   | 600  |
| (Group C) (A)   | 51   |
| (Group D) (AWG) | 16~6 |
| (Group D) (V)   | 600  |
| (Group D) (A)   | 5    |

