

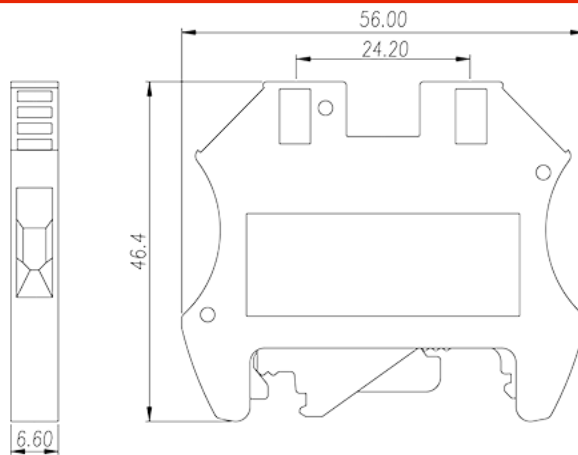
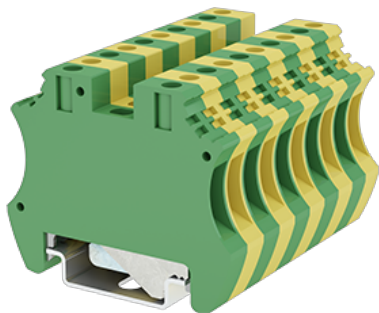
# DK4-PE

DIN

&gt;

:2026-07-04

:1.2



M3, 600V, Green-Yellow (default)

	DIN rail terminal blocks, Grounding terminal blocks
	Grounding terminal blocks
	Green-Yellow (default)
	Screw connection
	Rail mounting
(mm)	6.6
(mm)	56
(mm)	46.4
( )	1P
	Single level
	2
	PA
	I
UL 94	V0
	500M at DC 500V

**-IEC**

(V)	630
(III/3)(V)	630
(II/2)(KV)	8
(III/2)(KV)	8
(III/3)(KV)	8
(mm <sup>2</sup> )	0.5
(mm <sup>2</sup> )	4
(mm <sup>2</sup> )	0.5
(mm <sup>2</sup> )	4
(mm <sup>2</sup> ) , ,	0.5
(mm <sup>2</sup> ) , ,	4
(mm <sup>2</sup> ) , ,	0.5
(mm <sup>2</sup> ) , ,	4
2 (mm <sup>2</sup> )	2.5
2 (mm <sup>2</sup> )	2.5
(mm <sup>2</sup> ) <sup>2</sup> , ,	0.5
(mm <sup>2</sup> ) <sup>2</sup> , ,	2.5
2 (mm <sup>2</sup> ) , ,	0.5
2 (mm <sup>2</sup> ) , ,	2.5
	M3
Width)(mm) (Blade thickness x	0.8x4.0
Philips	PH1
(N.m)	0.78
	12~16
	TS-35
	NO
	YES

**-UL**



(UL/CUL Group B)(V)		600
(UL/CUL Group C)(V)		600
(UL/CUL Group D)(V)		600
UL/CUL	AWG	26
UL/CUL	AWG	10
UL/CUL	AWG	26
UL/CUL	AWG	10

&amp;

(YES or NO)		YES
가 (YES or NO)		YES
		120
		-40

**UL**

(Group B)(AWG)		26~10
(Group B)(V)		600
(Group C)(AWG)		26~10
(Group C)(V)		600
(Group D)(AWG)		26~10
(Group D)(V)		600

**CUL**

(Group B)(AWG)		26~10
(Group B)(V)		600
(Group C)(AWG)		26~10
(Group C)(V)		600
(Group D)(AWG)		26~10
(Group D)(V)		600

**VDE**

(mm <sup>2</sup> )		0.5~4
--------------------	--	-------

