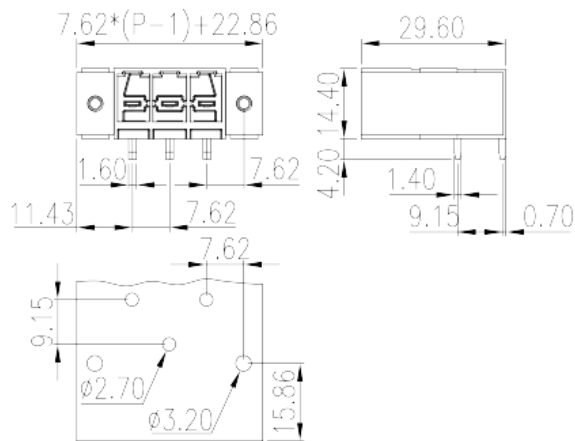
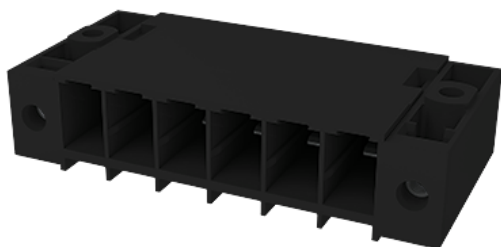


ECH762HRM- XXP

PCB > PCB -

:2026-07-05



Pitch : 7.62mm, 600V, 41A

	Connector – Socket, Wave soldering
	PCB Connector – Socket
(mm)	7.62
	Black (default)
	With threaded flange
	Reflow Soldering
(mm)	$7.62*(P-1)+22.86$
(mm)	29.6
(mm)	14.4
(x) (mm)	1.6x1.4
PCB (mm)	2.7
()	02P~12P
	Single level
	PA



	I
UL 94	V0
	500M at DC 500V
	COPPER ALLOY
	Tin PLATED

-IEC

(V)	1000
(A)	41
(II/2)(V)	1000
(III/2)(V)	1000
(III/3)(V)	630
(II/2)(KV)	8
(III/2)(KV)	8
(III/3)(KV)	8
(N.m)	0.5

-UL

(UL/CUL Group B)(V)	600
(UL/CUL Group B)(A)	41
(UL/CUL Group C)(V)	600
(UL/CUL Group C)(A)	41

&

가 (YES or NO)	YES
	120
	-40

UL

(Group B)(V)	600
(Group B)(A)	41
(Group C)(V)	600
(Group C)(A)	41

CUL

--	--

(Group B) (V)	600
(Group B) (A)	41
(Group C) (V)	600
(Group C) (A)	41

