

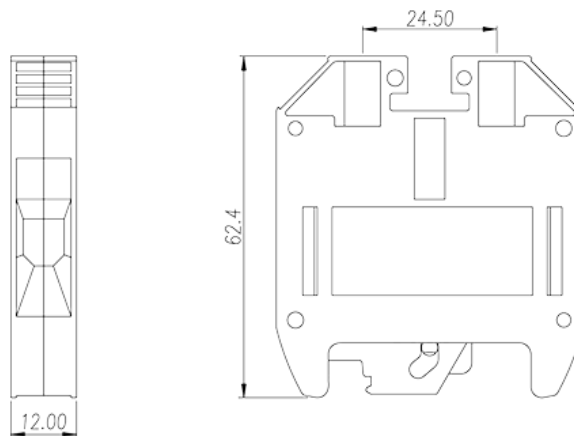
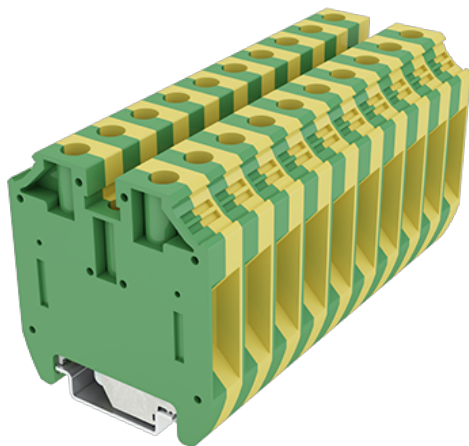
DK16-PE

DIN

>

:2026-07-04

:1.2



M5, 600V, Green-Yellow (default)

	DIN rail terminal blocks, Grounding terminal blocks
	Grounding terminal blocks
	Green-Yellow (default)
	Screw connection
	Rail mounting
(mm)	56
(mm)	12
(mm)	62.4
()	1P
	Single level
	2
	PA
	I
UL 94	V0
	500M at DC 500V

-IEC

(II/2)(KV)	8
(III/2)(KV)	8
(III/3)(KV)	8
(mm ²)	2.5
(mm ²)	16
(mm ²)	2.5
(mm ²)	16
(mm ²) , ,	2.5
(mm ²) , ,	16
(mm ²) , ,	2.5
(mm ²) , ,	16
2 (mm ²)	6
2 (mm ²)	6
(mm ²) ² , ,	2.5
(mm ²) ² , ,	6
2 (mm ²) , ,	2.5
2 (mm ²) , ,	10
	M5
Width)(mm) (Blade thickness x	1.0x5.5 / 0.8x4.0
Philips	PH2
(N.m)	3.43
	14~18
	TS-35
	NO
	YES

-UL

(UL/CUL Group B)(V)	600
(UL/CUL Group C)(V)	600



(UL/CUL Group D)(V)		600
UL/CUL	AWG	14
UL/CUL	AWG	6
UL/CUL	AWG	14
UL/CUL	AWG	6

&

(YES or NO)		YES
가 (YES or NO)		YES
		120
		-40

UL

(Group B)(AWG)		14~6
(Group B)(V)		600
(Group C)(AWG)		14~6
(Group C)(V)		600
(Group D)(AWG)		14~6
(Group D)(V)		600

CUL

(Group B)(AWG)		14~6
(Group B)(V)		600
(Group C)(AWG)		14~6
(Group C)(V)		600
(Group D)(AWG)		14~6
(Group D)(V)		600

VDE

(mm ²)		2.5~16
--------------------	--	--------

