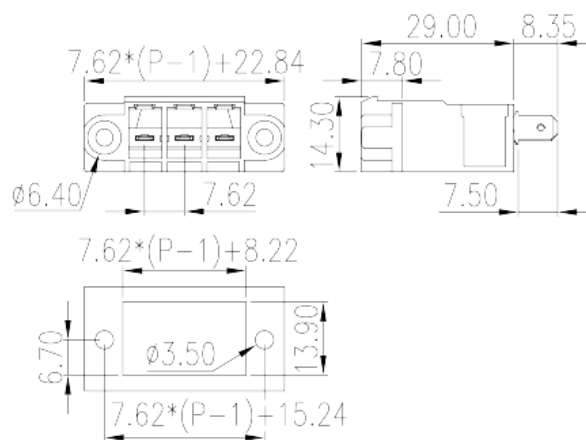
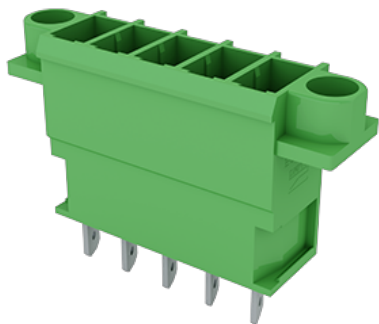


ECHP762V-XXP

PCB > PCB -

:2026-07-04



Pitch : 7.62mm, 300V, 30A

	Connector – Socket, Slip-on connection
	PCB Connector – Socket
(mm)	7.62
	Green (default)
	Slip-on connection
	With mounting flange
(mm)	$7.62 \times (P-1) + 22.84$
(mm)	14.3
(mm)	37.35
(x) (mm)	0.8x4.8
()	02P~12P
	Single level
	PBT
	IIIa
UL 94	V0
	1000M at DC 500V



COPPER ALLOY

Tin PLATED

-IEC

(V)	800
(A)	41
(II/2)(V)	800
(III/2)(V)	630
(III/3)(V)	400
(II/2)(KV)	6
(III/2)(KV)	6
(III/3)(KV)	6

-UL

(UL/CUL Group B)(V)	300
(UL/CUL Group B)(A)	30
(UL/CUL Group C)(V)	300
(UL/CUL Group C)(A)	30
(UL/CUL Group D)(V)	600
(UL/CUL Group D)(A)	5

&

가 (YES or NO)	YES
	120
	-40

UL

(Group B)(V)	300
(Group B)(A)	30
(Group C)(V)	300
(Group C)(A)	30
(Group D)(V)	600
(Group D)(A)	5

CUL

