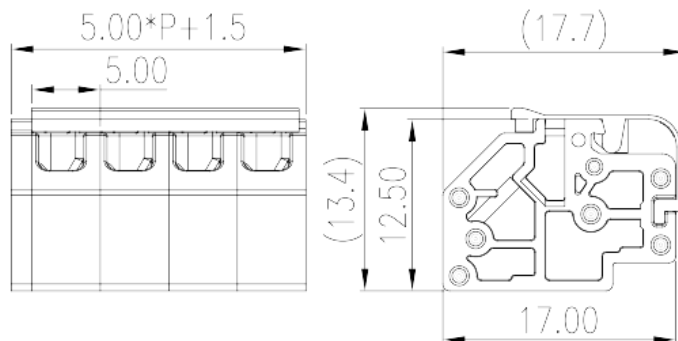
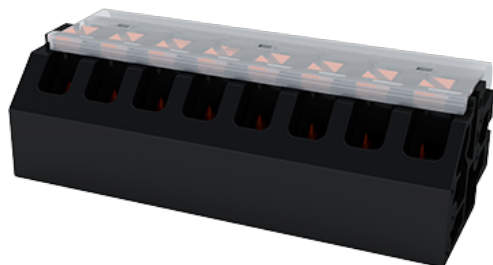


0191-04XXC

PCB > PCB -

:2026-07-05



Pitch :5.0mm, 300V, 5A

	PCB Connector-Plug, Push-in Design
	PCB Connector – Plug
(mm)	5.00
	Black (default)
	Push in Design
	Without
(mm)	5.00*P+1.5
(mm)	17.7
(mm)	13.4
()	02P~20P
	Single level

	PA
	I
UL 94	V0
	500M at DC 500V
	COPPER ALLOY

Tin PLATED

-IEC

(V)	630
(A)	5
(II/2)(V)	630
(III/2)(V)	320
(III/3)(V)	250
(II/2)(KV)	4
(III/2)(KV)	4
(III/3)(KV)	4
(mm ²)	0.5
(mm ²)	1.5
(mm ²)	0.5
(mm ²)	1.5
(mm ²) , ,	0.5
(mm ²) , ,	1
(mm ²) , ,	0.5
(mm ²) , ,	1
Width)(mm) (Blade thickness x	0.4x2.5
	8~9

-UL

(UL/CUL Group B)(V)	300
(UL/CUL Group B)(A)	5
(UL/CUL Group D)(V)	300
(UL/CUL Group D)(A)	5
UL/CUL AWG	24
UL/CUL AWG	16
UL/CUL AWG	24
UL/CUL AWG	16

&

가	(YES or NO)	YES
		120
		-40

UL

(Group B)(AWG)	24~16
(Group B)(V)	300
(Group B)(A)	5
(Group D)(AWG)	24~16
(Group D)(V)	300
(Group D)(A)	5

CUL

(Group B)(AWG)	24~16
(Group B)(V)	300
(Group B)(A)	5
(Group D)(AWG)	24~16
(Group D)(V)	300
(Group D)(A)	5

