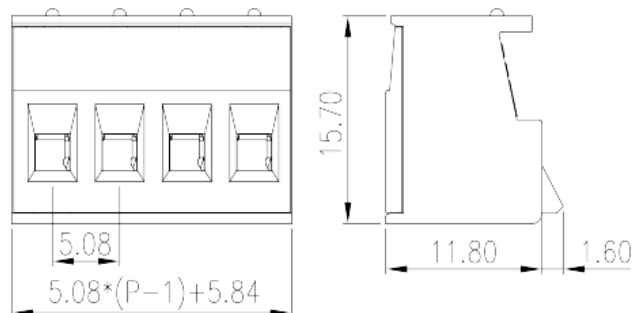


0164-02XX

PCB > PCB -

:2026-07-06



Pitch : 5.08mm, M2.5, 300V, 10A

| | |
|-------|--------------------------------------|
| | PCB Connector-Plug, Screw Connection |
| | PCB Connector – Plug |
| (mm) | 5.08 |
| | Black (default) |
| | Screw Connection |
| | With lock flange |
| (mm) | $5.08 * (P - 1) + 5.84$ |
| (mm) | 11.8 |
| (mm) | 15.7 |
| () | 02P~24P |
| | Single level |
| | PA |
| | I |
| UL 94 | V0 |
| | 500M at DC 500V |
| | COPPER ALLOY |

| | | Tin PLATED |
|---------------------------------|--------------------|------------|
| -IEC | | |
| (V) | | 630 |
| (A) | | 15 |
| (II/2)(V) | | 630 |
| (III/2)(V) | | 320 |
| (III/3)(V) | | 250 |
| (II/2)(KV) | | 4 |
| (III/2)(KV) | | 4 |
| (III/3)(KV) | | 4 |
| (mm ²) | | 0.2 |
| (mm ²) | | 2.5 |
| (mm ²) | | 0.2 |
| (mm ²) | | 2.5 |
| (mm ²) | , | 0.25 |
| (mm ²) | , | 2.5 |
| (mm ²) | , | 0.25 |
| (mm ²) | , | 2.5 |
| 2 | (mm ²) | 0.2 |
| 2 | (mm ²) | 1 |
| 2 | (mm ²) | 0.2 |
| 2 | (mm ²) | 1 |
| (mm ²) ² | , | 0.25 |
| (mm ²) ² | , | 1 |
| 2 | (mm ²) | 0.5 |
| 2 | (mm ²) | 1 |
| | | M3 |
| Width)(mm) | (Blade thickness x | 0.6x3.5 |
| | (N.m) | 0.5 |

| | |
|-------|-----|
| (N.m) | 0.6 |
| | 6~7 |

-UL

| | |
|---------------------|-----|
| (UL/CUL Group B)(V) | 300 |
| (UL/CUL Group B)(A) | 10 |
| (UL/CUL Group D)(V) | 300 |
| (UL/CUL Group D)(A) | 10 |
| UL/CUL AWG | 26 |
| UL/CUL AWG | 12 |
| UL/CUL AWG | 26 |
| UL/CUL AWG | 12 |

&

| | |
|---------------|-----|
| 가 (YES or NO) | YES |
| | 120 |
| | -40 |

UL

| | |
|----------------|-------|
| (Group B)(AWG) | 26~12 |
| (Group B)(V) | 300 |
| (Group B)(A) | 10 |
| (Group D)(AWG) | 26~12 |
| (Group D)(V) | 300 |
| (Group D)(A) | 10 |

CUL

| | |
|----------------|-------|
| (Group B)(AWG) | 26~12 |
| (Group B)(V) | 300 |
| (Group B)(A) | 10 |
| (Group D)(AWG) | 26~12 |
| (Group D)(V) | 300 |
| (Group D)(A) | 10 |

