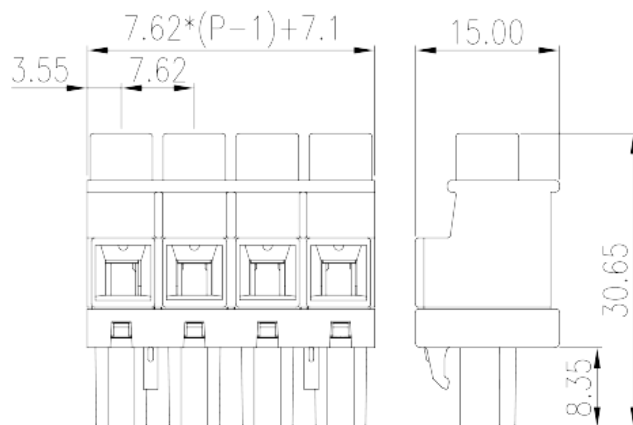
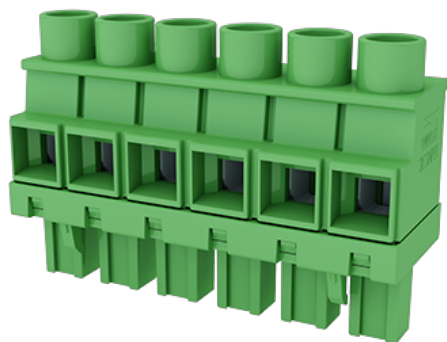


# 3ESNPH-XXP

PCB > PCB -

:2026-07-04



Pitch: 7.62mm, M3, 600V, 25A

	PCB Connector-Plug, Screw Connection
	PCB Connector – Plug
(mm)	7.62
	Green (default)
	Screw Connection
	Without
(mm)	$7.62 * (P-1) + 7.1$
(mm)	15
(mm)	30.65
( )	02P~12P
	Single level
	PA
	I
UL 94	V0
	500M at DC 500V
	HIGH PERFORMANCE COPPER ALLOY



Tin PLATED

**-IEC**

(V)	1000
(A)	24
(II/2)(V)	1000
(III/2)(V)	1000
(III/3)(V)	1000
(II/2)(KV)	8
(III/2)(KV)	8
(III/3)(KV)	8
(mm <sup>2</sup> )	0.2
(mm <sup>2</sup> )	4
(mm <sup>2</sup> )	0.2
(mm <sup>2</sup> )	4
(mm <sup>2</sup> ) , ,	0.25
(mm <sup>2</sup> ) , ,	4
(mm <sup>2</sup> ) , ,	0.25
(mm <sup>2</sup> ) , ,	4
2 (mm <sup>2</sup> )	0.2
2 (mm <sup>2</sup> )	1.5
2 (mm <sup>2</sup> )	0.2
2 (mm <sup>2</sup> )	1.5
(mm <sup>2</sup> ) <sup>2</sup> , ,	0.25
(mm <sup>2</sup> ) <sup>2</sup> , ,	1.5
2 (mm <sup>2</sup> ) , ,	0.5
2 (mm <sup>2</sup> ) , ,	1.5
	M3
Width)(mm) (Blade thickness x	0.8X4
(N.m)	0.5

(N.m)	0.6
	7~8

### -UL

(UL/CUL Group B)(V)	600
(UL/CUL Group B)(A)	25
(UL/CUL Group C)(V)	600
(UL/CUL Group C)(A)	25
(UL/CUL Group D)(V)	600
(UL/CUL Group D)(A)	5
UL/CUL AWG	28
UL/CUL AWG	10
UL/CUL AWG	28
UL/CUL AWG	10

### &

가 (YES or NO)	YES
	120
	-40

### UL

(Group B)(AWG)	28~10
(Group B)(V)	600
(Group B)(A)	25
(Group C)(AWG)	28~10
(Group C)(V)	600
(Group C)(A)	25

### CUL

(Group B)(AWG)	28~10
(Group B)(V)	600
(Group B)(A)	25
(Group C)(AWG)	28~10
(Group C)(V)	600
(Group C)(A)	25

