

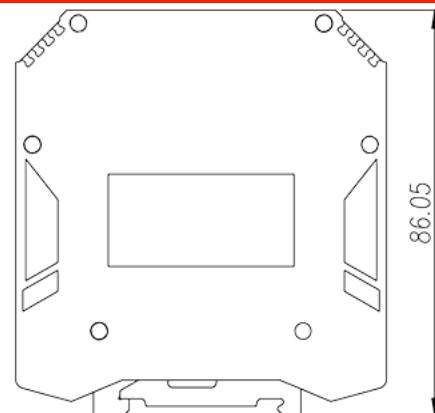
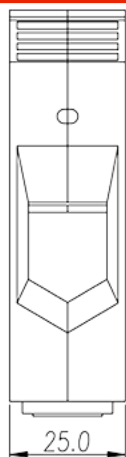
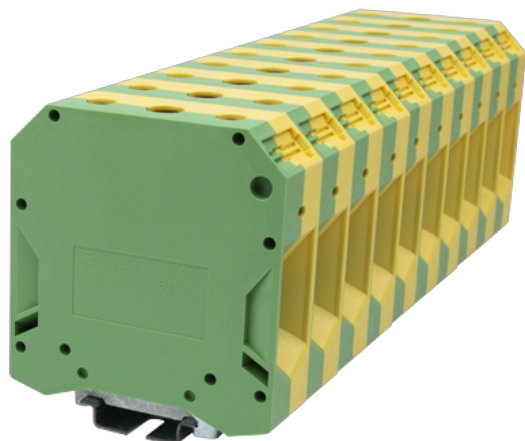
DK95-PE

DIN

>

:2026-07-04

:1.2



M8, 600V, Green-Yellow (default)

	DIN rail terminal blocks, Grounding terminal blocks
	Grounding terminal blocks
	Green-Yellow (default)
	Screw connection
	Rail mounting
(mm)	80
(mm)	25
(mm)	86.1
()	1P
	Single level
	2
	PA
	I
UL 94	V0
	500M at DC 500V

-IEC

(III/3)(V)	1000
(II/2)(KV)	8
(III/2)(KV)	8
(III/3)(KV)	8
(mm ²)	35
(mm ²)	95
(mm ²)	35
(mm ²)	95
(mm ²) , ,	35
(mm ²) , ,	95
(mm ²) , ,	35
(mm ²) , ,	95
2 (mm ²)	35
2 (mm ²)	35
(mm ²) ² , ,	35
(mm ²) ² , ,	35
	M8
Width)(mm) (Blade thickness x	Hex socket 6
Philips	Hex socket 6
(N.m)	17.9
	20~25
	TS-35
	NO
	YES

-UL

(UL/CUL Group B)(V)	600
(UL/CUL Group C)(V)	600
(UL/CUL Group D)(V)	600
UL/CUL AWG	2



UL/CUL	AWG	4/0
UL/CUL	AWG	2
UL/CUL	AWG	4/0

&

(YES or NO)	YES
가 (YES or NO)	YES
	120
	-40

UL

(Group B)(AWG)	2~4/0
(Group B)(V)	600
(Group C)(AWG)	2~4/0
(Group C)(V)	600
(Group D)(AWG)	2~4/0
(Group D)(V)	600

CUL

(Group B)(AWG)	2~4/0
(Group B)(V)	600
(Group C)(AWG)	2~4/0
(Group C)(V)	600
(Group D)(AWG)	2~4/0
(Group D)(V)	600

VDE

(mm ²)	35~95
--------------------	-------

