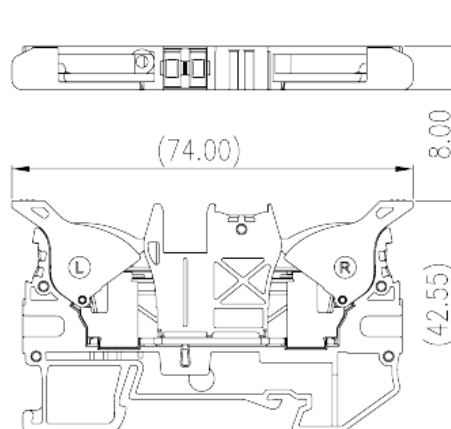
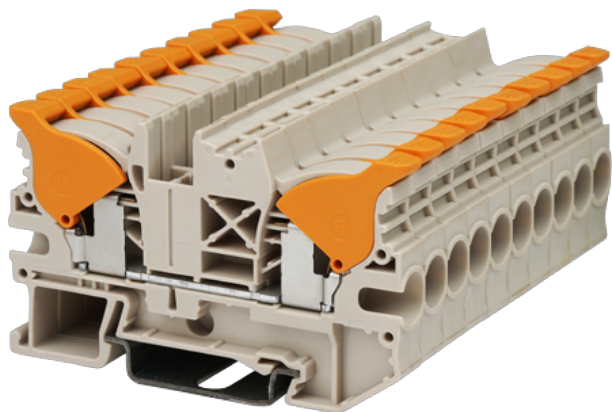


DPH6

DIN

>

:2026-05-14



600V, 42A, Beige (default)

	Single level Feed-Through Terminal Block, Push-in Design
	Single level Feed Through Terminal Block
	Beige (default)
	Push-in Design
	Rail Mounting
(mm)	70
(mm)	8
(mm)	42/ 43.5(TS-35N)/ 51(TS-35/15N)
()	1P
	Single level
	2
	PA
	I
UL 94	V0
	500M at DC 500V

-IEC

(V)		1000
(A)		41
(III/3)(V)		1000
(III/3)(KV)		8
(mm ²)		0.5
(mm ²)		10
(mm ²)		0.5
(mm ²)		6
(mm ²)	,	0.5
(mm ²)	,	6
(mm ²)	,	0.5
(mm ²)	,	6
² (mm ²)	,	0.5
² (mm ²)	,	1.5
Width)(mm)	(Blade thickness x	0.8x4
		16~17
		TS-35N、TS-35/15N
		YES
		NO

-UL

(UL/CUL Group B)(V)		600
(UL/CUL Group B)(A)		42
(UL/CUL Group C)(V)		600
(UL/CUL Group C)(A)		42
(UL/CUL Group D)(V)		600
(UL/CUL Group D)(A)		5
UL/CUL	AWG	20
UL/CUL	AWG	8
UL/CUL	AWG	20



UL/CUL	AWG	8
&		
	(YES or NO)	YES
가	(YES or NO)	YES
		120
		-40

UL

	(Group B)(AWG)	20~8
	(Group B)(V)	600
	(Group B)(A)	42
	(Group C)(AWG)	20~8
	(Group C)(V)	600
	(Group C)(A)	42
	(Group D)(AWG)	20~8
	(Group D)(V)	600
	(Group D)(A)	5

CUL

	(Group B)(AWG)	20~8
	(Group B)(V)	600
	(Group B)(A)	42
	(Group C)(AWG)	20~8
	(Group C)(V)	600
	(Group C)(A)	42
	(Group D)(AWG)	20~8
	(Group D)(V)	600
	(Group D)(A)	5

--	--	--

