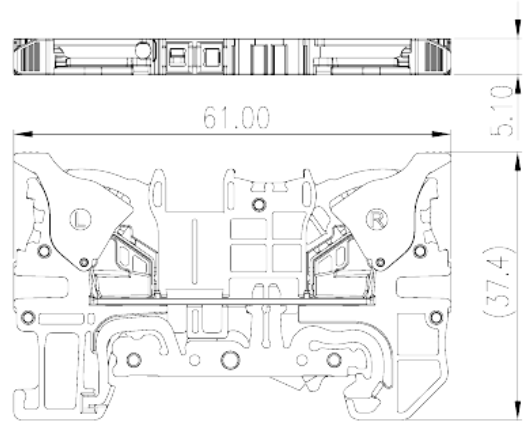
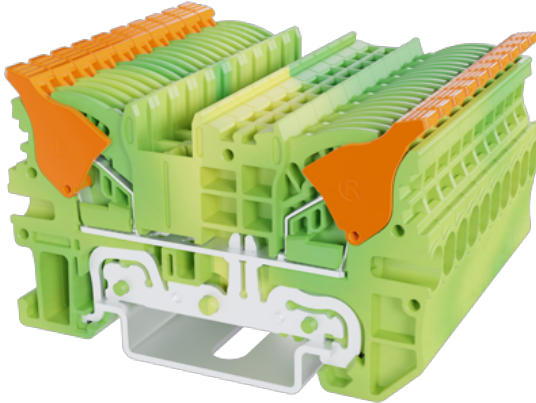


DPH2.5-PE

DIN

>

:2026-07-05



600V, Yellow-Green (default)

	Grounding Terminal Block, Push-in Design
	Grounding Terminal Block
	Yellow-Green (default)
	Push-in Design
	Rail Mounting
(mm)	61
(mm)	5.1
(mm)	37.4/ 38.9 (TS-35N) /46.4 (TS-35/15N)
()	1P
	Single level
	2
	PA
	I
UL 94	V0
	500M at DC 500V

-IEC

(V)	800
(III/3)(V)	800
(III/3)(KV)	8
(mm ²)	0.14
(mm ²)	4
(mm ²)	0.14
(mm ²)	2.5
(mm ²) , ,	0.25
(mm ²) , ,	2.5
(mm ²) , ,	0.25
(mm ²) , ,	2.5
² (mm ²) , ,	0.5
² (mm ²) , ,	0.5
Width)(mm) (Blade thickness x	0.6x3.5
	10~11
	TS-35N、TS-35/15N
	YES
	YES

-UL

(UL/CUL Group B)(V)	600
(UL/CUL Group C)(V)	600
(UL/CUL Group D)(V)	600
UL/CUL AWG	26
UL/CUL AWG	12
UL/CUL AWG	26
UL/CUL AWG	12

&

(YES or NO)	YES
-------------	-----

가	(YES or NO)	YES
		120
		-40

UL

(Group B)(AWG)	26~12
(Group B)(V)	600
(Group C)(AWG)	26~12
(Group C)(V)	600
(Group D)(AWG)	26~12
(Group D)(V)	600

CUL

(Group B)(AWG)	26~12
(Group B)(V)	600
(Group C)(AWG)	26~12
(Group C)(V)	600
(Group D)(AWG)	26~12
(Group D)(V)	600

