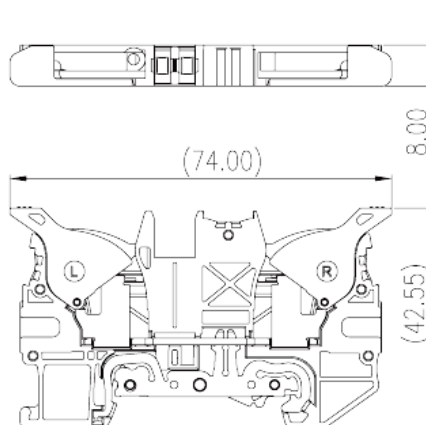
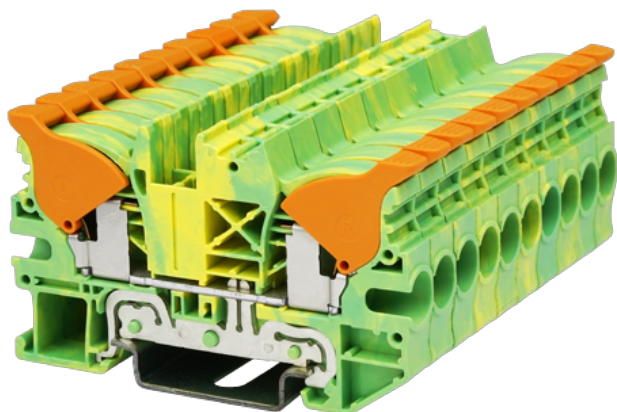


# DPH6-PE

DIN

>

:2026-07-05



600V, Yellow-Green (default)

	Grounding Terminal Block, Push-in Design
	Grounding Terminal Block
	Yellow-Green (default)
	Push-in Design
	Rail Mounting
(mm)	70
(mm)	8
(mm)	42/ 43.5(TS-35N)/ 51(TS-35/15N)
( )	1P
	Single level
	2
	PA
	I
UL 94	V0
	500M at DC 500V

**-IEC**

(V)		1000
(III/3)(V)		1000
(III/3)(KV)		8
(mm <sup>2</sup> )		0.5
(mm <sup>2</sup> )		10
(mm <sup>2</sup> )		0.5
(mm <sup>2</sup> )		6
(mm <sup>2</sup> )	,	0.5
(mm <sup>2</sup> )	,	6
(mm <sup>2</sup> )	,	0.5
(mm <sup>2</sup> )	,	6
	<sup>2</sup> (mm <sup>2</sup> ) ,	0.5
	<sup>2</sup> (mm <sup>2</sup> ) ,	1.5
Width)(mm)	(Blade thickness x	0.8x4
		16~17
		TS-35N、TS-35/15N
		YES
		YES

**-UL**

(UL/CUL Group B)(V)		600
(UL/CUL Group C)(V)		600
(UL/CUL Group D)(V)		600
UL/CUL	AWG	20
UL/CUL	AWG	8
UL/CUL	AWG	20
UL/CUL	AWG	8

**&**

(YES or NO)		YES
-------------	--	-----

가	(YES or NO)	YES
		120
		-40

UL

(Group B)(AWG)	20~8
(Group B)(V)	600
(Group C)(AWG)	20~8
(Group C)(V)	600
(Group D)(V)	20~8
(Group D)(A)	600

CUL

(Group B)(AWG)	20~8
(Group B)(V)	600
(Group C)(AWG)	20~8
(Group C)(V)	600
(Group D)(AWG)	20~8
(Group D)(V)	600

