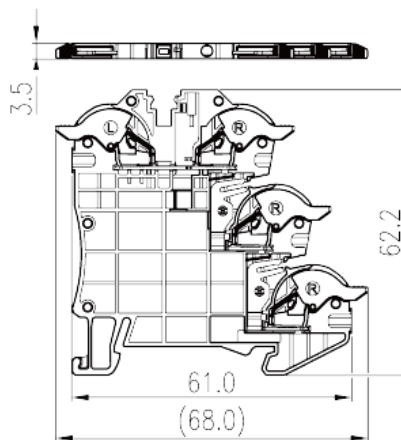
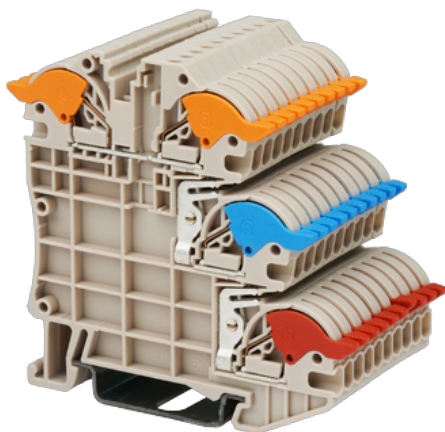


DPH1.5SG

DIN

>

:2026-07-05



300V, 14A, Beige (default)

	Sensor Terminal Block, Push-in Design
	Sensor Terminal Block
	Beige (default)
	Push-in Design
	Rail Mounting
(mm)	68
(mm)	3.5
(mm)	62.2/ 63.5 (TS-35N) / 71 (TS-35/15N)
()	1P
	Three level
	4
	PA
	I
UL 94	V0
	500M at DC 500V

-IEC

(V)		250
(A)		15
(III/3)(V)		250
(III/3)(KV)		4
(mm ²)		0.14
(mm ²)		1.5
(mm ²)		0.14
(mm ²)		1.5
(mm ²)	,	0.25
(mm ²)	,	1.5
(mm ²)	,	0.25
(mm ²)	,	0.75
Width)(mm)	(Blade thickness x	0.4x2.5
		8
		TS-35N、TS-35/15N
		YES
		NO

-UL

(UL/CUL Group B)(V)		300
(UL/CUL Group B)(A)		14
(UL/CUL Group D)(V)		300
(UL/CUL Group D)(A)		10
UL/CUL	AWG	26
UL/CUL	AWG	14
UL/CUL	AWG	26
UL/CUL	AWG	14

&

(YES or NO)		YES
가 (YES or NO)		YES

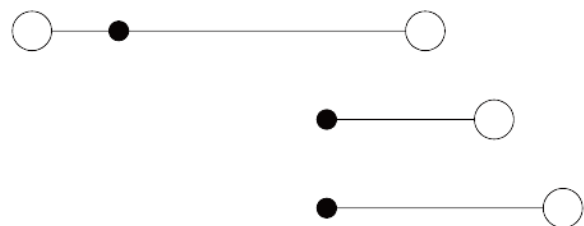
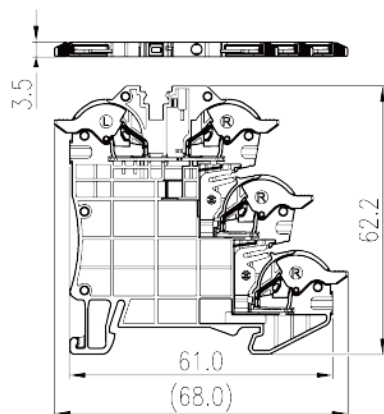
	120
	-40

UL

(Group B)(AWG)	26~14
(Group B)(V)	300
(Group B)(A)	14
(Group D)(AWG)	26~14
(Group D)(V)	300
(Group D)(A)	10

CUL

(Group B)(AWG)	26~14
(Group B)(V)	300
(Group B)(A)	14
(Group D)(AWG)	26~14
(Group D)(V)	300
(Group D)(A)	10





Delight Through Connections