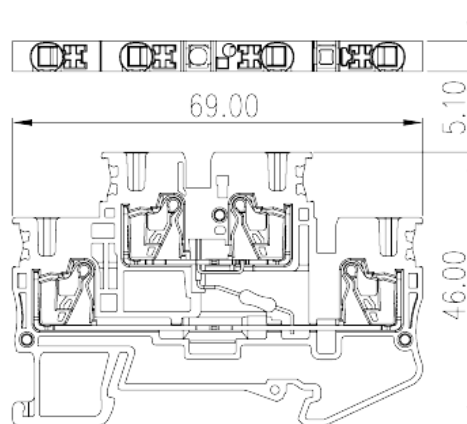
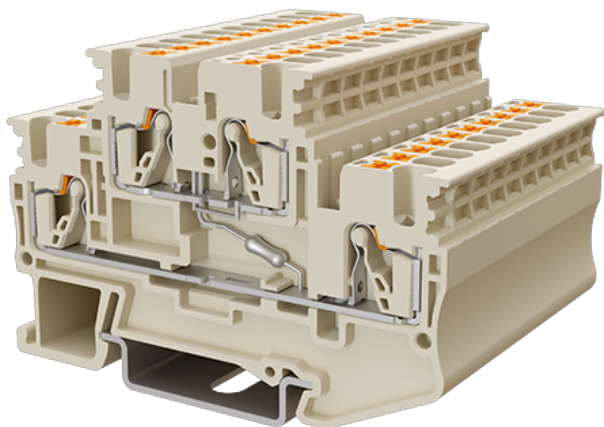


DPP2.5N-LXX

DIN

>

:2026-07-05



24V/110V/220V, 20A, Beige (default)

	Component terminal block, Push-in Design
	Component terminal block
	Beige (default)
	Push-in Design
	Rail Mounting
(mm)	69
(mm)	5.1
(mm)	46/ 47.5 (TS-35N),55(TS-35/15N)
()	1P
	Double level
	4
	PA
	I
UL 94	V0
	500M at DC 500V

-IEC

(V)	24/110/220
(A)	22
(III/3)(V)	24/110/220
(III/3)(KV)	6
(mm ²)	0.14
(mm ²)	4
(mm ²)	0.14
(mm ²)	2.5
(mm ²) , ,	0.25
(mm ²) , ,	2.5
(mm ²) , ,	0.25
(mm ²) , ,	2.5
² (mm ²) , ,	0.5
² (mm ²) , ,	0.5
Width)(mm) (Blade thickness x	0.6X3.5
	10
	TS-35N、TS-35/15N
	YES
	NO

-UL

(UL/CUL Group B)(V)	24/110/220
(UL/CUL Group B)(A)	20
(UL/CUL Group C)(V)	24/110/220
(UL/CUL Group C)(A)	20
UL/CUL AWG	26
UL/CUL AWG	12
UL/CUL AWG	26
UL/CUL AWG	12

&

(YES or NO)	YES
가 (YES or NO)	YES
	120
	-40

