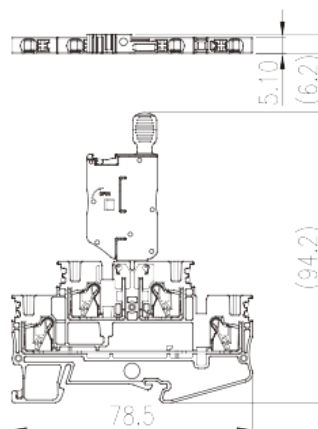
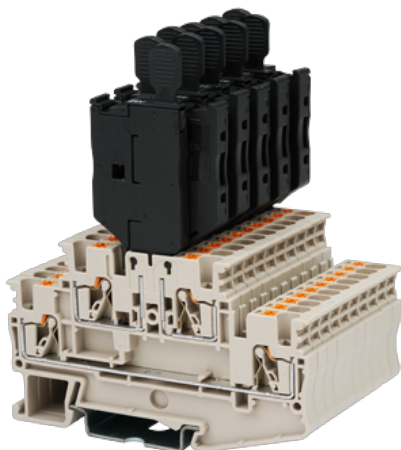


DPP2.5N-MLXX

DIN

>

:2026-07-05



24V/60V/250V, 10A, Beige (default)

	Fuse Terminal Block, Push-in Design
	Fuse Terminal Block
	Beige (default)
	Push-in Design
	Rail Mounting
(mm)	78.5
(mm)	6.2
(mm)	94.2/ 95.7(TS-35N)/103.2(TS-35/15N)
()	2P
	Double level
	4
	PA
	Iv0
UL 94	500M at DC 500V

-IEC

(V)	24/60/250
(A)	6.3 (the Current is determined by the fuse used)
(III/3)(V)	24/60/250
(III/3)(KV)	4
(mm ²)	0.14
(mm ²)	4
(mm ²)	0.14
(mm ²)	2.5
(mm ²) , ,	0.25
(mm ²) , ,	2.5
(mm ²) , ,	0.25
(mm ²) , ,	2.5
² (mm ²) , ,	0.5
² (mm ²) , ,	0.5
Width)(mm) (Blade thickness x	0.6X3.5
	10
	TS-35N、TS-35/15N
	YES
	NO

-UL

(UL/CUL Group B)(V)	24/60/250
(UL/CUL Group B)(A)	10
(UL/CUL Group D)(V)	24/60/250
(UL/CUL Group D)(A)	10
UL/CUL AWG	26
UL/CUL AWG	12
UL/CUL AWG	26
UL/CUL AWG	12

&

(YES or NO)	YES
가 (YES or NO)	YES
	120
	-40

UL

(Group B)(AWG)	26~12
(Group B)(V)	24/60/250
(Group B)(A)	10
(Group D)(AWG)	26~12
(Group D)(V)	24/60/250
(Group D)(A)	10

CUL

(Group B)(AWG)	26~12
(Group B)(V)	24/60/250
(Group B)(A)	10
(Group D)(AWG)	26~12
(Group D)(V)	24/60/250
(Group D)(A)	10

