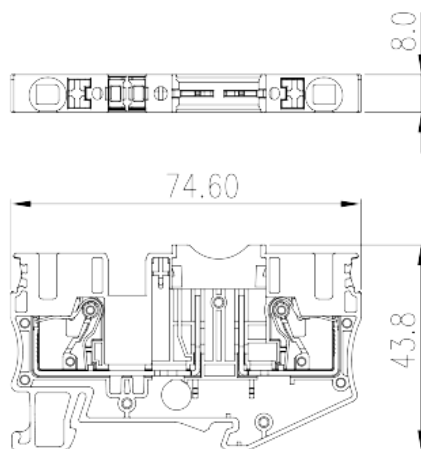


DP6N-TFV

DIN

>

:2026-07-05



300V, 25A, Beige (default)

	Fuse Terminal Block, Push-in Design
	Fuse Terminal Block
	Refer to drawing
	Push-in Design
	Rail Mounting
(mm)	74.6
(mm)	8
(mm)	45.3(TS-35N)/52.8(TS-35/15N)
()	1P
	Single level
	2
	PA
	I
UL 94	V0
	500M at DC 500V

-IEC

(V)	400(the Voltage is determined by the selected LED)
(A)	30 (the Current is determined by the fuse used)
(III/3)(V)	400
(III/3)(KV)	6
(mm ²)	0.5
(mm ²)	10
(mm ²)	0.5
(mm ²)	6
(mm ²)	0.5
(mm ²)	6
(mm ²)	0.5
(mm ²)	6
(mm ²)	0.5
(mm ²)	6
² (mm ²)	0.5
² (mm ²)	1.5
Width)(mm) (Blade thickness x	0.8x4
	12
	TS-35N、TS-35/15N
	YES
	NO

-UL

(UL/CUL Group B)(V)	300
(UL/CUL Group B)(A)	25
(UL/CUL Group C)(V)	300
(UL/CUL Group C)(A)	25
(UL/CUL Group D)(V)	600
(UL/CUL Group D)(A)	5
UL/CUL AWG	20
UL/CUL AWG	8

UL/CUL	AWG	20
UL/CUL	AWG	8

&

(YES or NO)	YES
가 (YES or NO)	YES
	120
	-40

UL

(Group B) (AWG)	20~8
(Group B) (V)	300
(Group B) (A)	25
(Group C) (AWG)	20~8
(Group C) (V)	300
(Group C) (A)	25
(Group D) (AWG)	20~8
(Group D) (V)	600
(Group D) (A)	5

