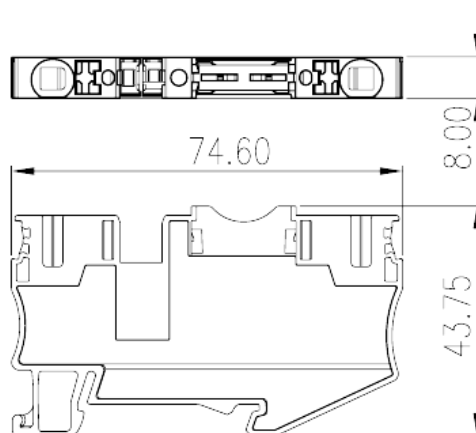
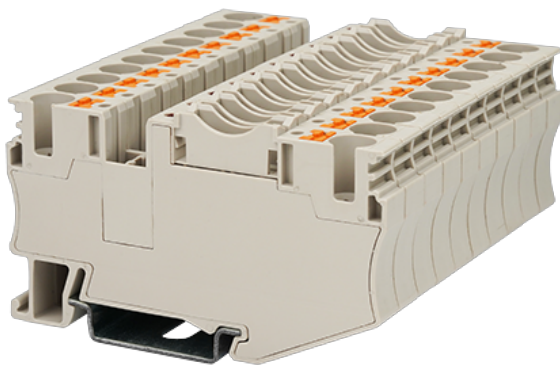


DP6N-TFVLXX

DIN

>

:2026-07-05



12V/24V/48V, 25A, Beige (default)

	Fuse Terminal Block, Push-in Design
	Fuse Terminal Block
	Beige (default)
	Push-in Design
	Rail Mounting
(mm)	74.6
(mm)	8
(mm)	43.75/ 45.3(TS-35N)/52.8(TS-35/15N)
()	1P
	Single level
	2
	PA
	I
UL 94	V0
	500M at DC 500V

-IEC

(V)	12/24/48
(A)	30 (the Current is determined by the fuse used)
(III/3)(V)	12/24/48
(mm ²)	6
(mm ²)	0.5
(mm ²)	10
(mm ²)	0.5
(mm ²) , ,	6
(mm ²) , ,	0.5
(mm ²) , ,	6
(mm ²) , ,	0.5
2 (mm ²)	6
2 (mm ²) , ,	0.5
2 (mm ²) , ,	1.5
Width)(mm) (Blade thickness x	0.8x4
	12
	TS-35N、TS-35/15N
	YES
	NO

-UL

(UL/CUL Group B)(V)	DP6N-TFVL12 : 12/DP6N-TFVL24 : 24/DP6N-TFVL48 : 48
(UL/CUL Group B)(A)	25
(UL/CUL Group C)(V)	DP6N-TFVL12 : 12/DP6N-TFVL24 : 24/DP6N-TFVL48 : 48
(UL/CUL Group C)(A)	25
(UL/CUL Group D)(V)	DP6N-TFVL12 : 12/DP6N-TFVL24 : 24/DP6N-TFVL48 : 48
(UL/CUL Group D)(A)	5
UL/CUL AWG	20



UL/CUL	AWG	8
UL/CUL	AWG	20
UL/CUL	AWG	8

&

(YES or NO)	YES
가 (YES or NO)	YES
	120
	-40

UL

(Group B)(AWG)	20~8
(Group B)(V)	DP6N-TFVL12 : 12/DP6N-TFVL24 : 24/DP6N-TFVL48 : 48
(Group B)(A)	25
(Group C)(AWG)	20~8
(Group C)(V)	DP6N-TFVL12 : 12/DP6N-TFVL24 : 24/DP6N-TFVL48 : 48
(Group C)(A)	25
(Group D)(AWG)	20~8
(Group D)(V)	DP6N-TFVL12 : 12/DP6N-TFVL24 : 24/DP6N-TFVL48 : 48
(Group D)(A)	25

CUL

(Group B)(AWG)	20~8
(Group B)(V)	DP6N-TFVL12 : 12/DP6N-TFVL24 : 24/DP6N-TFVL48 : 48
(Group B)(A)	25
(Group C)(AWG)	20~8
(Group C)(V)	DP6N-TFVL12 : 12/DP6N-TFVL24 : 24/DP6N-TFVL48 : 48
(Group C)(A)	25
(Group D)(AWG)	20~8
(Group D)(V)	DP6N-TFVL12 : 12/DP6N-TFVL24 : 24/DP6N-TFVL48 : 48
(Group D)(A)	25

