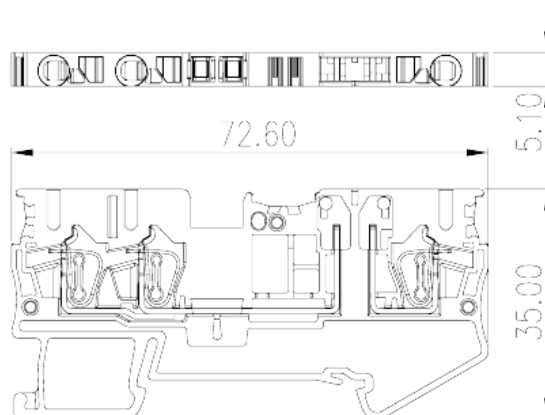
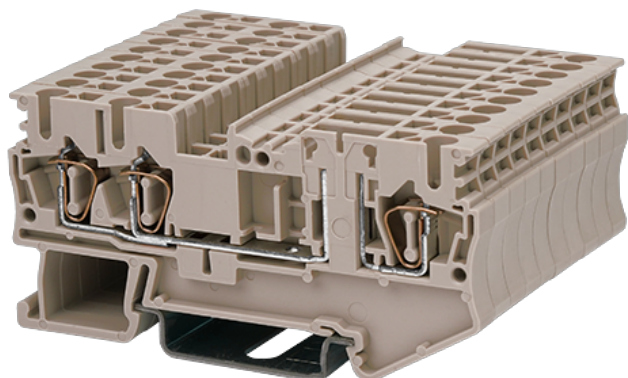


AK2.5-TN-T

DIN

>

:2026-07-05



300V, 16A, Beige (default)

	Disconnect Terminal Block, Spring Clamp Connection
	Disconnect Terminal Block
	Beige (default)
	Spring Clamp Connection
(mm)	72.6
(mm)	5.1
(mm)	35 36.5 (TS-35N) / 44 (TS-35/15N)
	Single level
	2
	PA
	I
UL 94	V0
	500M at DC 500V
-IEC	

(V)		400
(A)		21
(III/3)(V)		400
(III/3)(KV)		6
(mm ²)		0.2
(mm ²)		2.5
(mm ²)		0.2
(mm ²)		2.5
(mm ²)	,	0.25
(mm ²)	,	2.5
(mm ²)	,	0.25
(mm ²)	,	2.5
	² (mm ²) ,	0.5
	² (mm ²) ,	1
Width)(mm)	(Blade thickness x	0.6x3.5
		10~11
		TS-35N、TS-35/15N
		YES
		NO

-UL

(UL/CUL Group B)(V)		300
(UL/CUL Group B)(A)		10
(UL/CUL Group C)(V)		600
(UL/CUL Group C)(A)		16
(UL/CUL Group D)(V)		600
(UL/CUL Group D)(A)		5
UL/CUL	AWG	28
UL/CUL	AWG	12
UL/CUL	AWG	28
UL/CUL	AWG	12

&

(YES or NO)	YES
가 (YES or NO)	YES
	120
	-40

UL

(Group B)(AWG)	28~12
(Group B)(V)	300
(Group B)(A)	16
(Group C)(AWG)	28~12
(Group C)(V)	300
(Group C)(A)	16
(Group D)(AWG)	28~12
(Group D)(V)	600
(Group D)(A)	5

CUL

(Group B)(AWG)	28~12
(Group B)(V)	300
(Group B)(A)	16
(Group C)(AWG)	28~12
(Group C)(V)	300
(Group C)(A)	16
(Group D)(AWG)	28~12
(Group D)(V)	600
(Group D)(A)	5

VDE

(mm ²)	0.2~2.5
(V)	400
(A)	21

