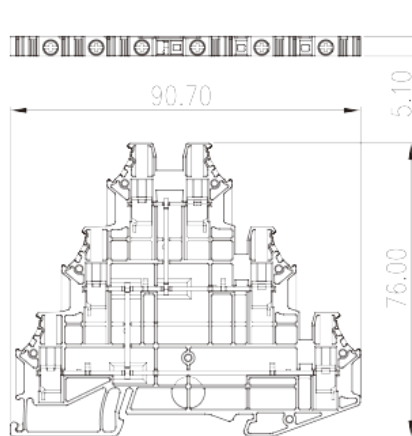
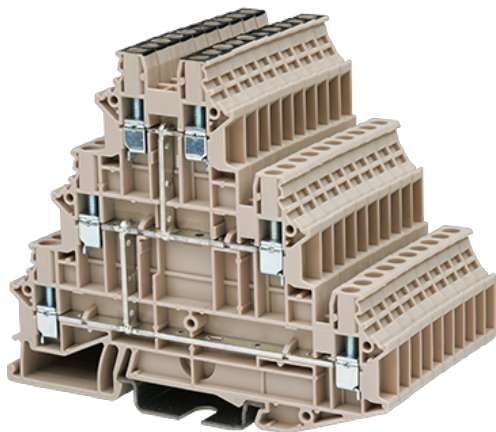


DK2.5N-3L-PV

DIN

>

:2026-07-05



600V, 20A, Beige (default)

	Three level Feed-Through Terminal Block, Screw Connection
	Three level Feed Through Terminal Block
	Beige (default)
	Screw Connection
	Rail Mounting
(mm)	90.7
(mm)	5.1
(mm)	76/77.3 (TS-35N) /84.8 (TS-35/15N)
	Three level
	6
	PA
	I
UL 94	V0
	500M at DC 500V

-IEC

(V)	1000
(A)	24
(III/3)(V)	1000
(III/3)(KV)	8
(mm ²)	0.34
(mm ²)	4
(mm ²)	0.34
(mm ²)	2.5
(mm ²) , ,	0.5
(mm ²) , ,	2.5
(mm ²) , ,	0.5
(mm ²) , ,	2.5
2 (mm ²)	0.34
2 (mm ²)	1.5
2 (mm ²)	0.5
2 (mm ²)	1.5
(mm ²) ² , ,	0.5
(mm ²) ² , ,	1.5
2 (mm ²) , ,	0.5
2 (mm ²) , ,	1.5
	M2.5
Width)(mm) (Blade thickness x	0.6x3.5
(N.m)	0.4
(N.m)	0.4
(N.m)	0.5
	10
	TS-35N、 TS-35/15N
	YES
	NO

-UL

(UL/CUL Group B)(V)		600
(UL/CUL Group B)(A)		20
(UL/CUL Group C)(V)		600
(UL/CUL Group C)(A)		20
(UL/CUL Group D)(V)		600
(UL/CUL Group D)(A)		5
UL/CUL	AWG	22
UL/CUL	AWG	12
UL/CUL	AWG	22
UL/CUL	AWG	12

&

(YES or NO)		YES
가 (YES or NO)		YES
		120
		-40

UL

(Group B)(AWG)		22~12
(Group B)(V)		600
(Group B)(A)		20
(Group C)(AWG)		22~12
(Group C)(V)		600
(Group C)(A)		20
(Group D)(AWG)		22~12
(Group D)(V)		600
(Group D)(A)		20

CUL

(Group B)(AWG)		22~12
(Group B)(V)		600
(Group B)(A)		20
(Group C)(AWG)		22~12

(Group C)(V)	600
(Group C)(A)	20
(Group D)(AWG)	22~12
(Group D)(V)	600
(Group D)(A)	20

