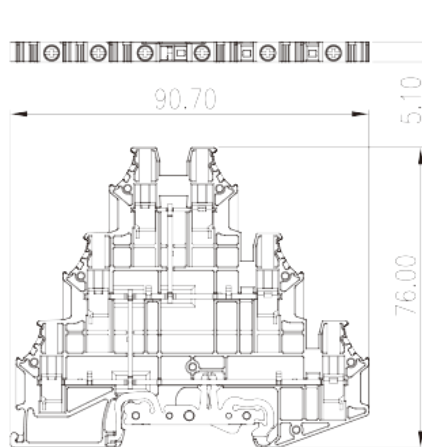
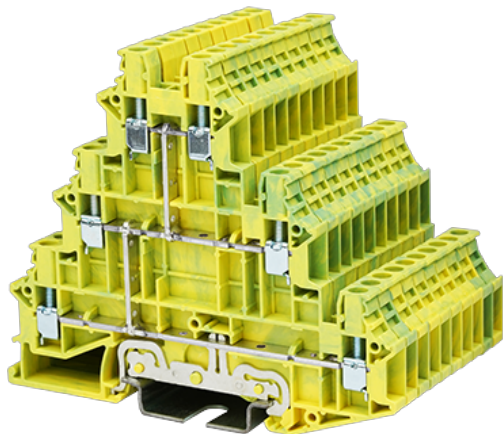


DK2.5N-3L-PE

DIN

>

:2026-07-05



600V, Yellow-Green (default)

	Grounding Terminal Block, Screw Connection
	Grounding Terminal Block
	Yellow-Green (default)
	Screw Connection
	Rail Mounting
(mm)	90.7
(mm)	5.1
(mm)	76/77.3 (TS-35N) /84.8 (TS-35/15N)
	Three level
	6
	PA
	I
UL 94	V0
	500M at DC 500V

-IEC



(V)		1000
(III/3)(V)		1000
(III/3)(KV)		8
(mm ²)		0.34
(mm ²)		4
(mm ²)		0.34
(mm ²)		2.5
(mm ²)	,	0.5
(mm ²)	,	2.5
(mm ²)	,	0.5
(mm ²)	,	2.5
	2 (mm ²)	0.34
	2 (mm ²)	1.5
	2 (mm ²)	0.5
	2 (mm ²)	1.5
(mm ²)	2 ,	0.5
(mm ²)	2 ,	1.5
	2 (mm ²) ,	0.5
	2 (mm ²) ,	1.5
Width)(mm)	(Blade thickness x	M2.5
		0.6x3.5
(N.m)		0.4
(N.m)		0.4
(N.m)		0.5
		10
		TS-35N、 TS-35/15N
		YES
		YES

-UL



(UL/CUL Group B)(V)		600
(UL/CUL Group C)(V)		600
(UL/CUL Group D)(V)		600
UL/CUL	AWG	22
UL/CUL	AWG	12
UL/CUL	AWG	22
UL/CUL	AWG	12

&

(YES or NO)		YES
가 (YES or NO)		YES
		120
		-40

UL

(Group B)(AWG)		22~12
(Group B)(V)		600
(Group C)(AWG)		22~12
(Group C)(V)		600
(Group D)(AWG)		22~12
(Group D)(V)		600

CUL

(Group B)(AWG)		22~12
(Group B)(V)		600
(Group C)(AWG)		22~12
(Group C)(V)		600
(Group D)(AWG)		22~12
(Group D)(V)		600

--	--	--

