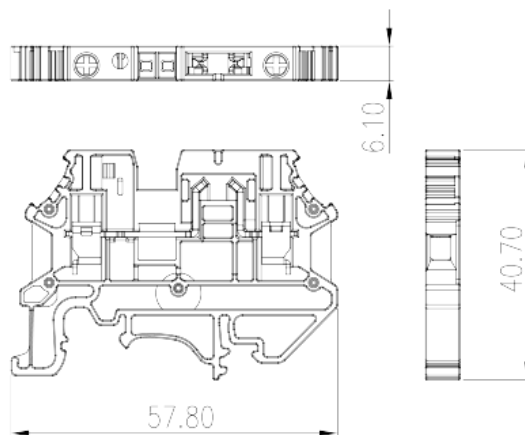
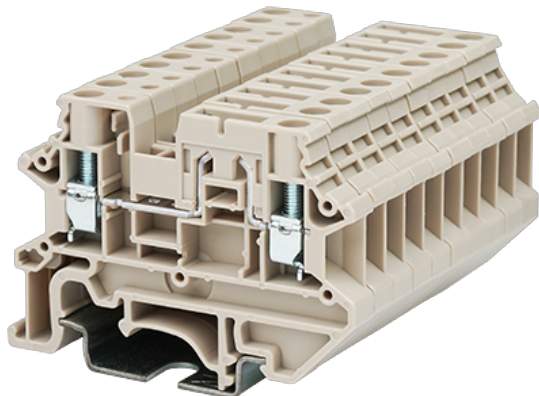


# DK4NS-T

DIN

>

:2026-02-10



600V, 30A, Beige (default)

	Disconnect Terminal Block, Screw Connection
	Disconnect Terminal Block
	Beige (default)
	Screw Connection
	Rail Mounting
(mm)	57.8
(mm)	6.1
(mm)	40.7/41.9 ( TS-35N ) /49.4 ( TS-35/15N )
	Single level
	2
	PA
	I
UL 94	V0
	500M at DC 500V

-IEC



(V)		800
(A)		32
(III/3)(V)		800
(III/3)(KV)		8
(mm <sup>2</sup> )		0.34
(mm <sup>2</sup> )		4
(mm <sup>2</sup> )		0.34
(mm <sup>2</sup> )		4
(mm <sup>2</sup> )	,	0.34
(mm <sup>2</sup> )	,	4
(mm <sup>2</sup> )	,	0.34
(mm <sup>2</sup> )	,	4
2	(mm <sup>2</sup> )	0.34
2	(mm <sup>2</sup> )	2.5
2	(mm <sup>2</sup> )	0.34
2	(mm <sup>2</sup> )	2.5
(mm <sup>2</sup> )	2 ,	0.34
(mm <sup>2</sup> )	2 ,	1.5
(mm <sup>2</sup> )	2 (mm <sup>2</sup> ) ,	0.5
(mm <sup>2</sup> )	2 (mm <sup>2</sup> ) ,	2.5
		M3
Width)(mm)	(Blade thickness x	0.6x3.5
(N.m)		0.5
(N.m)		0.5
(N.m)		0.6
		9~11
		TS-35N、 TS-35/15N
		YES
		NO

-UL



(UL/CUL Group B)(V)		600
(UL/CUL Group B)(A)		30
(UL/CUL Group C)(V)		600
(UL/CUL Group C)(A)		30
(UL/CUL Group D)(V)		600
(UL/CUL Group D)(A)		5
UL/CUL	AWG	22
UL/CUL	AWG	10
UL/CUL	AWG	22
UL/CUL	AWG	10

&amp;

(YES or NO)		YES
가 (YES or NO)		YES
		120
		-40

**UL**

(Group B)(AWG)		22~10
(Group B)(V)		600
(Group B)(A)		30
(Group C)(AWG)		22~10
(Group C)(V)		600
(Group C)(A)		30
(Group D)(AWG)		22~10
(Group D)(V)		600
(Group D)(A)		30

**CUL**

(Group B)(AWG)		22~10
(Group B)(V)		600
(Group B)(A)		30
(Group C)(AWG)		22~10
(Group C)(V)		600

(Group C)(A)	30
(Group D)(AWG)	22~10
(Group D)(V)	600
(Group D)(A)	30

