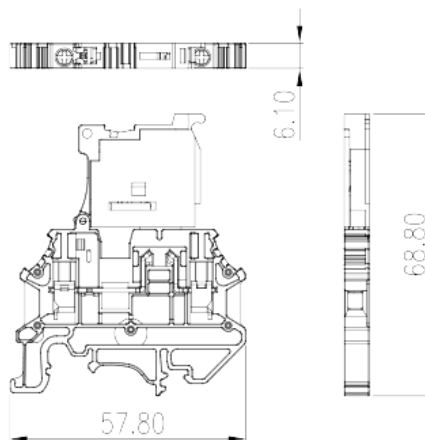
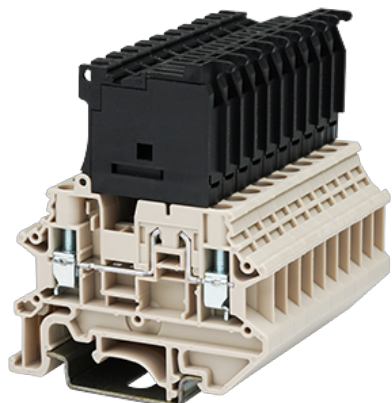


DK4NS-TF

DIN

>

:2026-07-05



600V, 10A, Beige (default)

	Fuse Terminal Block,, Push-in Design
	Fuse Terminal Block
	Beige (default)
	Screw Connection
	Rail Mounting
(mm)	57.8
(mm)	6.1
(mm)	68.8/70.0 (TS-35N) /77.5 (TS-35/15N)
	Single level
	2
	PA
	I
UL 94	V0
	500M at DC 500V

-IEC

(V)		800
(A)		6.3 (the Current is determined by the fuse used)
(III/3)(V)		800
(III/3)(KV)		8
(mm ²)		0.34
(mm ²)		4
(mm ²)		0.34
(mm ²)		4
(mm ²)	,	0.34
(mm ²)	,	4
(mm ²)	,	0.34
(mm ²)	,	4
2	(mm ²)	0.34
2	(mm ²)	2.5
2	(mm ²)	0.34
2	(mm ²)	2.5
(mm ²)	2 ,	0.34
(mm ²)	2 ,	1.5
(mm ²)	2 (mm ²) ,	0.5
(mm ²)	2 (mm ²) ,	2.5
		M3
Width)(mm)	(Blade thickness x	0.6x3.5
(N.m)		0.5
(N.m)		0.5
(N.m)		0.6
		9~11
		TS-35N、 TS-35/15N
		YES
		NO

-UL



(UL/CUL Group B)(V)	600
(UL/CUL Group B)(A)	10
(UL/CUL Group C)(V)	600
(UL/CUL Group C)(A)	10
(UL/CUL Group D)(V)	600
(UL/CUL Group D)(A)	10
UL/CUL AWG	22
UL/CUL AWG	10
UL/CUL AWG	22
UL/CUL AWG	10

&

(YES or NO)	YES
가 (YES or NO)	YES
	120
	-40

UL

(Group B)(AWG)	22~10
(Group B)(V)	600
(Group B)(A)	10
(Group C)(AWG)	22~10
(Group C)(V)	600
(Group C)(A)	10
(Group D)(AWG)	22~10
(Group D)(V)	600
(Group D)(A)	10

CUL

(Group B)(AWG)	22~10
(Group B)(V)	600
(Group B)(A)	10
(Group C)(AWG)	22~10
(Group C)(V)	600

(Group C)(A)	10
(Group D)(AWG)	22~10
(Group D)(V)	600
(Group D)(A)	10

