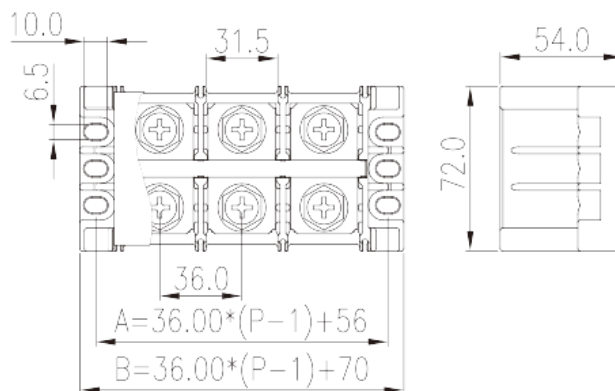
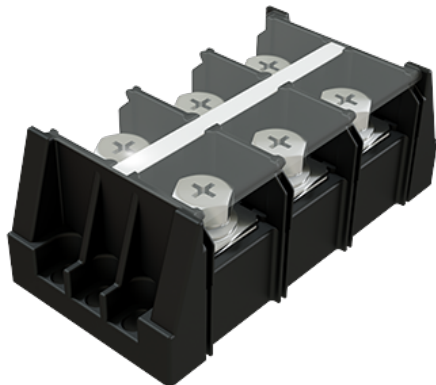


DKBH285-XXPCK

NEMA

>

:2026-07-05



1500V, 300A, Beige (default)

	Panel Mounting, Screw Connection
	Panel Mounting
	Black (default)
	Screw Connection
(mm)	$36.00 * (P-1) + 70$
(mm)	72
(mm)	54
()	02P~08P
	Single level
	4~16
	PBT
	IIIa
UL 94	V0
	1000M at DC 500V
	COPPER ALLOY
	Ni PLATED

-IEC

(V)	1500
(A)	309
(III/3)(V)	1500
(III/3)(KV)	8
(mm ²)	6
(mm ²)	150
	M10
Philips	SW17
(N.m)	12
(N.m)	16
	The stripping length depends on the specification provided by the cable lug manufacturer
	NO
	NO

-UL

(UL/CUL Group E)(V)	1500
(UL/CUL Group E)(A)	285(FW2) & 300(FW1)
UL/CUL AWG	8
UL/CUL AWG	300(kcmil)

&

(YES or NO)	YES
가 (YES or NO)	NO
	125
	-40

UL

(Group E)(AWG)	8~300(kcmil)
(Group E)(V)	1500
(Group E)(A)	285(FW2),300(FW1)

CUL

(Group C)(AWG)	8~300(kcmil)
----------------	--------------

(Group C)(V)	1500
(Group C)(A)	285(FW2)

